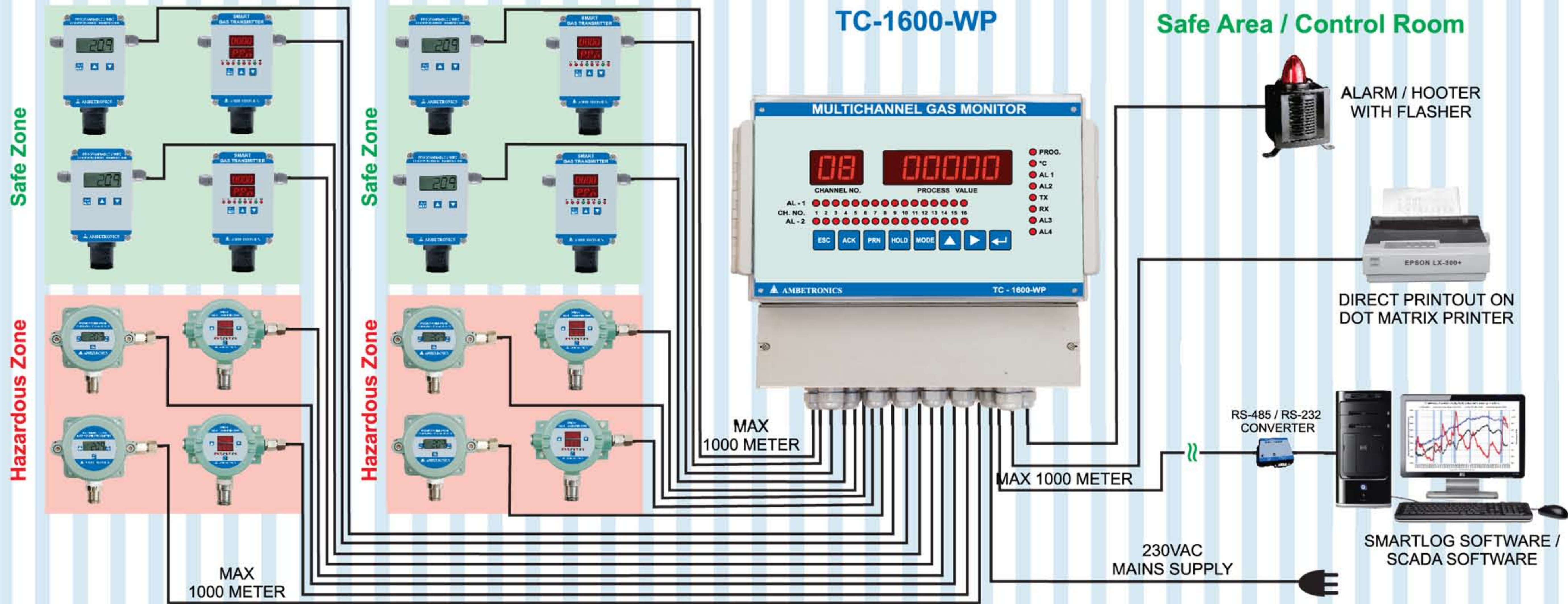


MULTICHANNEL GAS MONITOR

OXYGEN / TOXIC / COMBUSTIBLE GASES



**Multichannel Gas Monitor (16 CH.)
Flameproof Housing - TC-1600-FLP**



**Multichannel Gas Monitor (16 CH.)
Panel Mount Housing- TC-1600-Panel**

Features

- User Friendly Operation
- Scan Each Channel With Gas Concentration
- Easy One Man Calibration At Site
- Open Loop Sensor Break, 'oPEn' Indication
- Individual Channel Skip, Hold Facility From Front Panel
- Reading Offset Facility To Compensate The Field Error
- High & Low Alarm Output With Programmable Latch & Non-Latch Facility For Common Relay & Relay Indication
- Optional : Data Logging / Printer Interface / PC Software
- Optional Relay Output For Each Channel
- Suitable In Hazardous Area CCOE, CMRI & IP-65 Approved

Applications

- Pulp & Paper Plants
- Chemical & Petrochemical Plants
- Acid Alkalizes & Dyes Mfg. Plants
- Chemical Processing Plant
- Offshore Drilling & Processing Platforms
- Refineries
- Stack Monitoring
- Chemical Storage Area
- Automotive Industries
- Hotel Industries
- Gas Cylinder Bank
- Burner / Furnace Areas
- Heat Treatment Plants
- Paint Shop
- Sewage Plants
- Fertilizers Plants
- Power & Industrial Plants
- Gas Metering Stations
- Bullet Yard / Storage Yards
- Oil and Gas industries
- Coal Mine and Confined Areas
- Gas Pipeline Projects

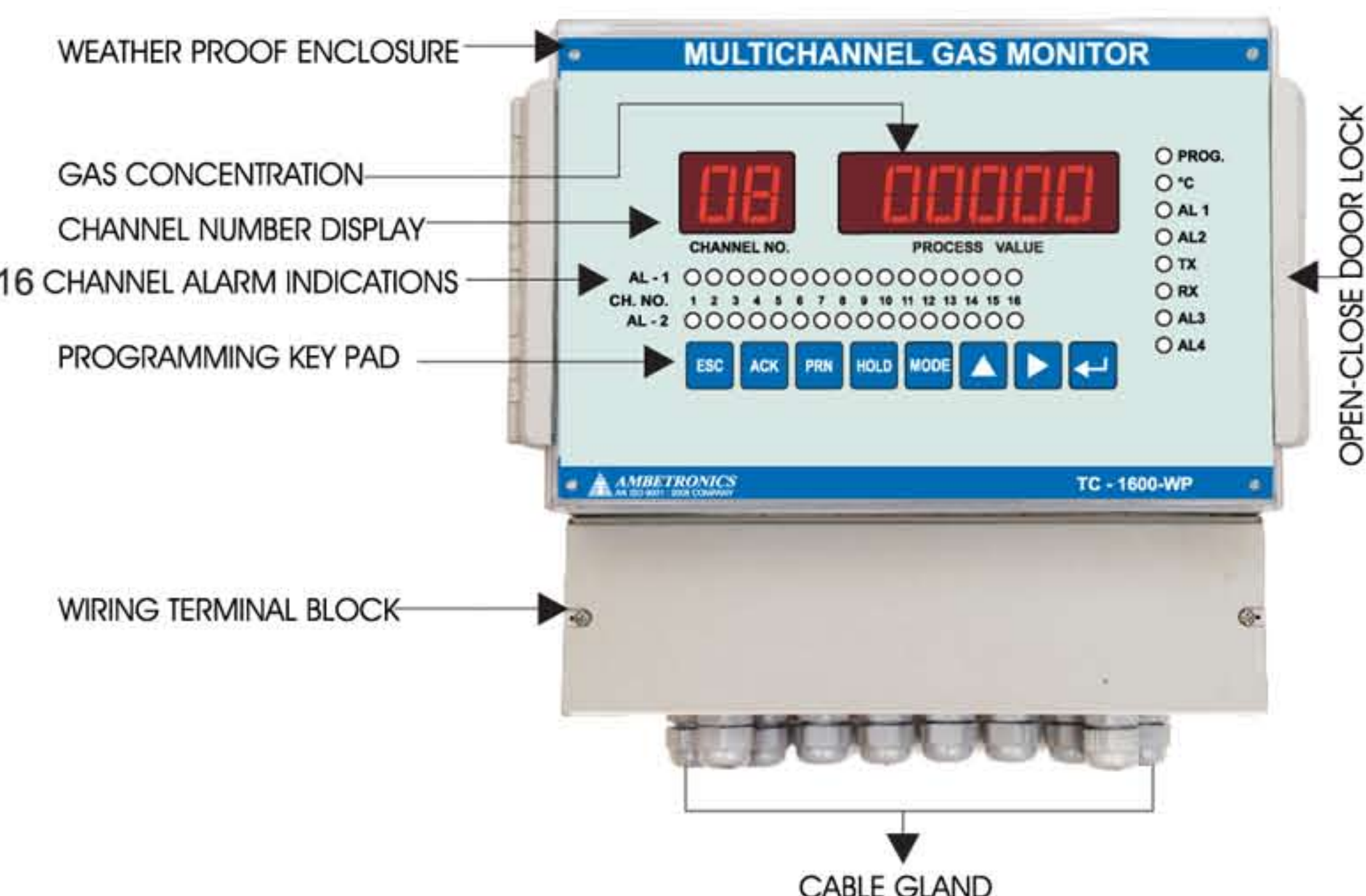
MUST FOR HUMAN AND INDUSTRIAL SAFETY

TECHNICAL SPECIFICATIONS

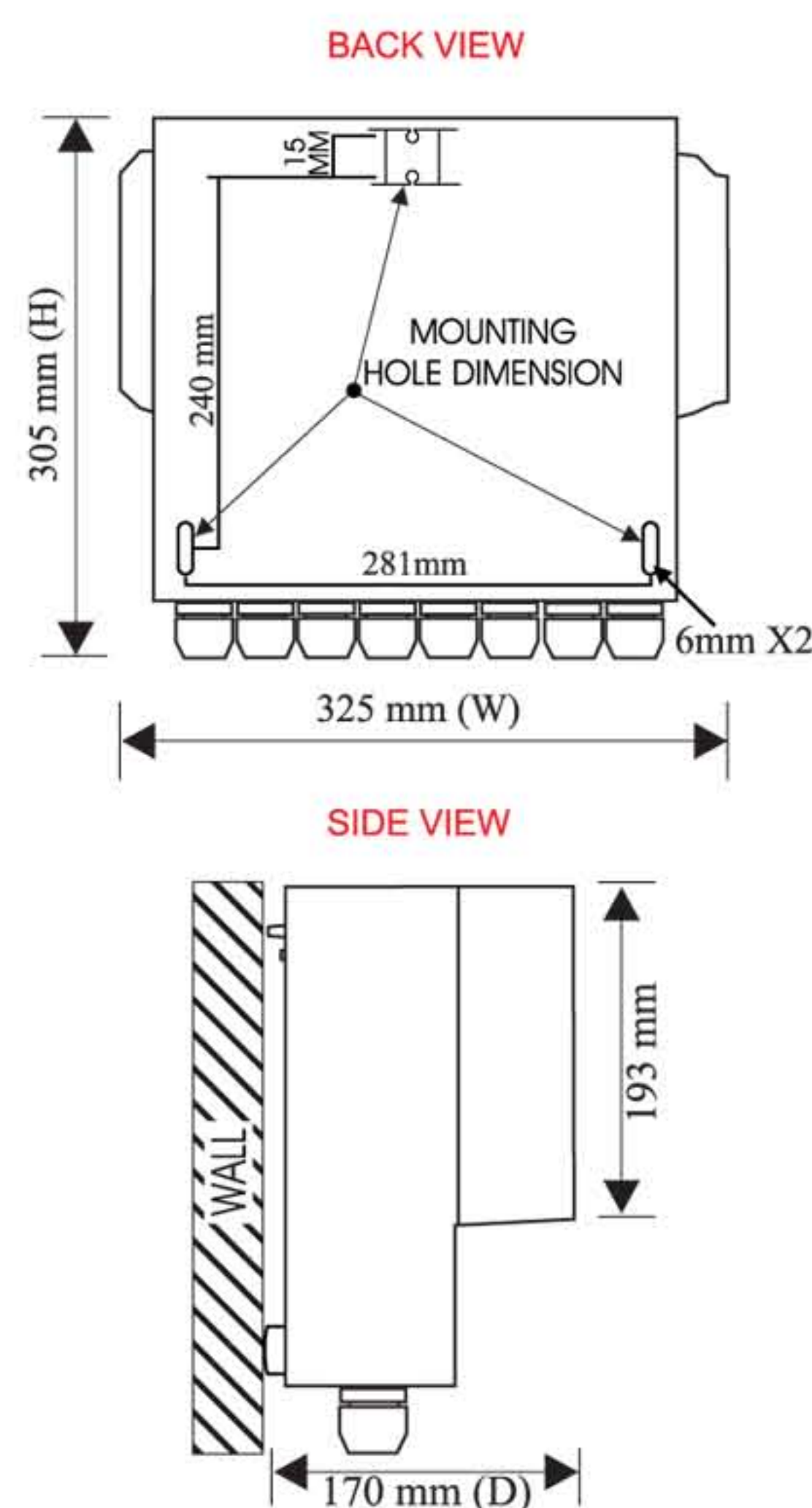
Input	4 to 20mA output from Oxygen / Toxic / Combustible Gas Transmitters	
Range	0 to 9999 programmable by user, reads % L.E.L., P.P.M. or % VOL.	
Resolution	0.1 / 1 Resolution programmable by users	
Accuracy	± 1 % of the full scale value	
Channel Capacity	Available 2 Ch. / 4 Ch. / 6 Ch. / 8 Ch. / 16Ch.	
Display	4 digits of 13 mm (H) Red LED for 'Gas Concentration'	
	1 digit of 13mm (H) Red LED for 'Channel number'	
LED Indication	8 No. RED LED for Alarm Indications of both set points AL1, AL2	
Set Point	2 independent set points individual for each channels with 2 common relay output	
Control action	LO / HI, HI / LO, LO / Very LO & HI / Very HI, Programmable by user	
Relay Output	1 NO/C/NC Relay contact rated 230VAC/5A for Relay-1 (AL1) & Relay-2 (AL2)	
Relay Latching	Programmable latch & non latch facility for common relay & relay indication	
Setting	Setting by 5 keys on front panel 'MODE', 'SHIFT', 'INC', 'ENT', 'PRN / ACK'	
Skip Channel	Individual Channel SKIP facility from front panel	
Hold	Facility to 'HOLD' the particular channel continuously	
Scan Time	1 to 59 second programmable by users	
Print Interval (Optional)	5 to 9999 sec. Print Interval for direct print out on 24/80/132 Column Dot Matrix Printer	
Monitoring	Sensor break / open shows 'bPEr', under range shows 'Undr' & over range shows 'ouEr'	
Supply Voltage	230VAC ± 10% OR 110VAC ± 10% OR 24 VDC	
Cable	1.5 sq. mm 3 Core OR 2 Core, Flexible OR Armoured shielded cable from Gas transmitter	
Operating Temperature	0 to 50°C ± 5%, Relative Humidity: Below 95% non Condensing	
Enclosure Details	TC - 1600 - WP (Weatherproof)	TC - 1600 - FLP (Flameproof)
Protection Class	IP-65	IP-65 for Gas Gr.IIA & IIB, CCOE & CMRI approved
Cabinet Material	Polycarbonate, gray colour	Cast Aluminum alloy, LM-6 / C.I. Enclosure
Cable Entry	Thermoplastic cable gland (IP 68) with clamping range of 2.5 to 6.5mm	Double compression cable gland(Ex-Proof), 3/4" ET-type
Dimension	305mm(H) X 325mm(W) X 170mm(D)	350mm(H) X 290mm(W) X 170(D)mm
Mounting	Wall Mounting / Stand Mounting	Wall Mounting / Stand Mounting
Weight	Approx. 2.5Kg	Approx. 6Kg
Optional	a) Isolated RS-232 /RS-485 Serial port with MODBUS RTU protocol output b) Parallel port for direct printout on 24/80/132 column printer without Computer with Data Logging facility c) SMARTLOG / SCADA SOFTWARE for online graph & data report for safety Audit d) Individual relay O/P can be given for each channel OR with grouping output e) Flame Proof or Non Flame Proof Industrial Hooter, Hooter cum Flasher, Chart recorder, Cables, PC Software, Gas Transmitters, 24 VDC power supply, Gas calibration kit	

LAYOUT DESCRIPTION

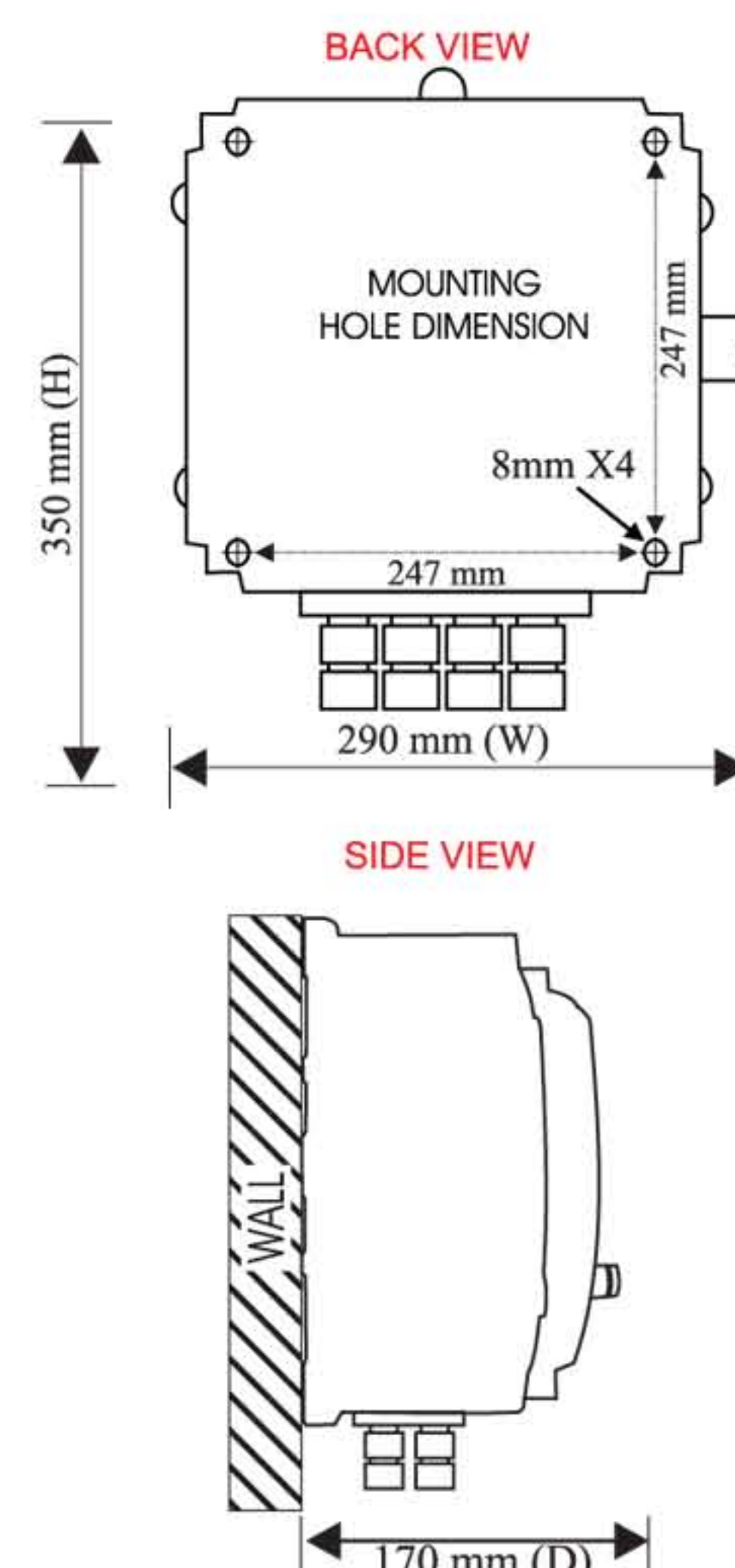
FRONT DESCRIPTION



WEATHER PROOF ENCLOSURE DIMENSIONS



FLAME PROOF ENCLOSURE DIMENSIONS



Manufactured by :

AMBETRONICS ENGINEERS PVT. LTD.

17-B, Tarun Industrial Estate, Mogra Pada, New Nagardas Road, Andheri (E.) Mumbai - 69, India.
 Mob.: 9320619646 • 9320621646 • Tel.: +91-22-66995525, 28371143 • Fax: +91-22-28226570
 E-mail : project@ambetronics.com • gas@ambetronics.com • Web : www.ambetronics.com



Dealers: