

## CLEAN SERVICE ANTI-TAMPER NEEDLE VALVE 6000PSI

### Model : Series NV30T

- **Body Material**

ASTM A351 CF8M, 1.4408  
ASTM A216 WCB, 1.0619  
Barstock material available upon request

- **Size Range**

1/8" - 1" (DN6-DN25)

- **Pressure Rating**

6000 psig (413 bar)

- **End Connection**

Female thread, male thread  
Pipe butt weld, pipe socket weld  
Tube butt weld, tube socket weld  
Tube fitting - Lok-type  
Mixed end connections are available

- **Flow Patterns:**

Available in straight and angle flow patterns

- **Temperature Range:**

PTFE: -20°C ~ +180°C (-4°F-356°F)  
PEEK: -20°C ~ +240°C (-4°F-464°F)  
GRAFOIL: -20°C ~ +450°C (-4°F-842°F)

- **Operation Type:**

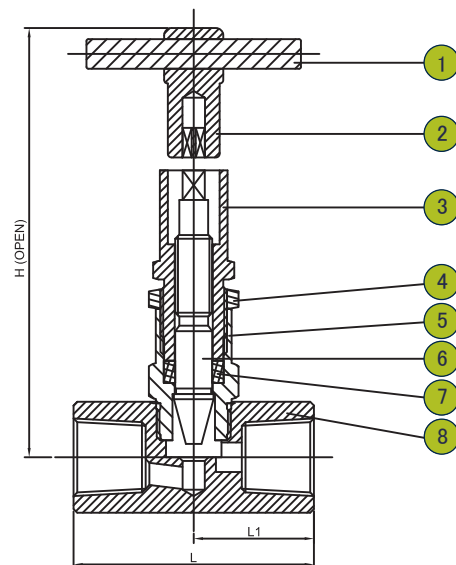
T-handle as standard

- **Stem Options:**

V-tip stem as standard  
Non-rotating v-tip stem for high cycle applications may be available

- **Features:**

Removable handle bar effectively prevents unauthorized operation  
Stem threads are isolated from system fluid eliminating contamination of external media to the stem section  
Live loaded packing system and packing nut enable easy external adjustment  
Low operation torque  
Customized options may be available upon request



#### Materials List:

NO.	PART NAME	MATERIAL
1	HANDLE-1	SS304
2	HANDLE-2	SS304
3	GLAND	SS304
4	GLAND NUT	SS304
5	BONNET	ASTM A-351 CF8M
6	STEM	SS316
7	PACKING	PTFE
8	BODY	ASTM A-351 CF8M

#### Dimensions (mm):

SIZE	in	DN	H	L	L1
1/4"	8	116	58	29	
3/8"	10	116	58	29	
1/2"	15	117	65	32.5	
3/4"	20	119	70	35	
1"	25	123	80	51	