

## SCREWED BONNET NEEDLE VALVE 6000PSI

### Model : Series NV10

- **Body Material**  
ASTM A351 CF8M, 1.4408  
ASTM A216 WCB, 1.0619  
Barstock material available upon request
- **Size Range**  
1/4" - 1" (DN8-DN25)
- **Pressure Rating**  
6000 psig (413 bar)
- **End Connection**  
Female thread, male thread  
Pipe butt weld, pipe socket weld  
Tube butt weld, tube socket weld  
Tube fitting - Lok-type  
Mixed end connections are available
- **Flow Patterns:**  
Available in straight and angle flow patterns
- **Temperature Range:**  
PTFE: -20°C ~ +180°C (-4°F-356°F)  
PEEK: -20°C ~ +240°C (-4°F-464°F)  
GRAFOIL: -20°C ~ +450°C (-4°F-842°F)
- **Operation Type:**  
T-handle as standard, handwheel optional
- **Stem Options:**  
V-tip stem as standard  
Non-rotating v-tip stem for high cycle applications may be available
- **Features:**  
Designed for use in general purpose applications to isolate or vent system media  
Live loaded packing system and packing nut enable easy external adjustment  
Low operation torque  
V-tip stem as standard, non-rotating stem may be available upon request  
Customized options may be available upon request

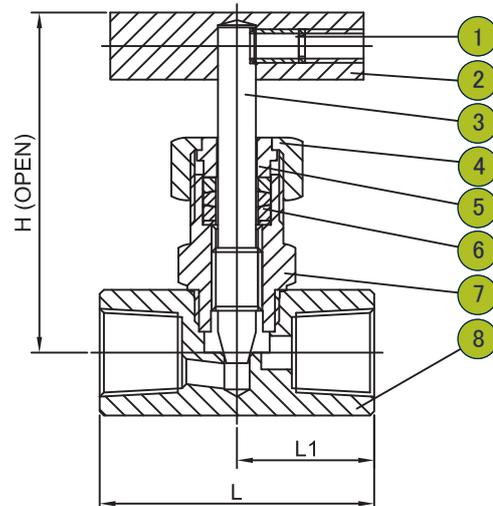


#### Materials List:

NO.	PART NAME	MATERIAL
1	SET SCREW	SS304
2	HANDLE	SS410
3	STEM	SS316
4	GLAND NUT	SS304
5	GLAND	SS304
6	PACKING	PTFE
7	BONNET	ASTM A-351 CF8M
8	BODY	ASTM A-351 CF8M

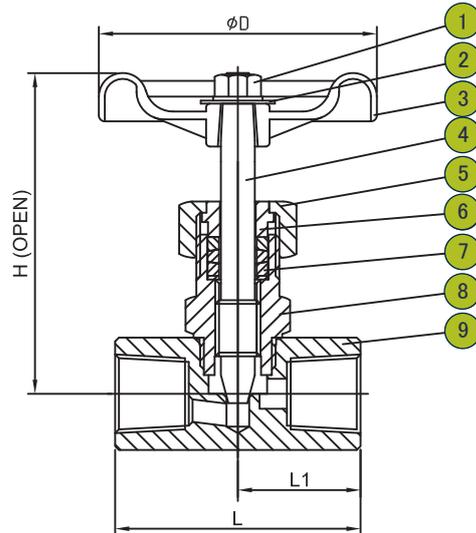
#### Dimensions (mm):

SIZE	DIMENSIONS (mm)			
	in	DN	H	L L1
1/8"	6	75	58	29
1/4"	8	75	58	29
3/8"	10	75	58	29
1/2"	15	87	65	32.5
3/4"	20	90	70	35
1"	25	103	80	40
1-1/4"	32	108	90	45
1-1/2"	40	115	100	50
2"	50	121	110	55



## SCREWED BONNET NEEDLE VALVE 6000PSI

### Model : Series NV10



#### Materials List:

NO.	PART NAME	MATERIAL
1	HANDWHEEL NUT	SS304
2	NAME PLATE	ALUMINUM
3	HANDWHEEL	MICO STEEL
4	STEM	SS316
5	GLAND NUT	SS304
6	GLAND	SS304
7	PACKING	PTFE
8	BONNET	ASTM A-351 CF8M
9	BODY	ASTM A-351 CF8M

#### Dimensions (mm):

SIZE	DN	H	L	L1	D
1/8"	6	79	58	29	58
1/4"	8	79	58	29	58
3/8"	10	79	58	29	58
1/2"	15	91	65	32.5	70
3/4"	20	94	70	35	70
1"	25	107	80	40	90
1-1/4"	32	112	90	45	90
1-1/2"	40	120	100	50	100
2"	50	126	110	55	100

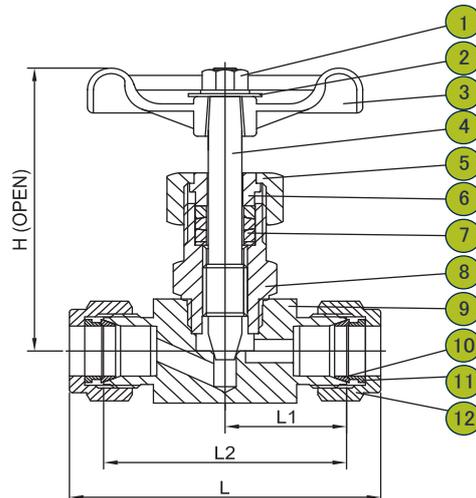
#### Materials List:

NO.	PART NAME	MATERIAL
1	HANDWHEEL NUT	SS304
2	NAME PLATE	ALUMINUM
3	HANDWHEEL *	MICO STEEL
4	STEM	SS316
5	GLAND NUT	SS304
6	GLAND	SS304
7	PACKING	PTFE
8	BONNET	ASTM A-351 CF8M
9	BODY	SS316
10	FRONT FERRULE	SS316
11	BACK FERRULE	SS316
12	NUT	SS316

\* Also available in stainless steel upon request

#### Dimensions (mm):

SIZE	DN	H	L	L1	L2
1/4"	8	79	73	29	58
3/8"	10	79	73	29	58
1/2"	15	79	78.6	29	58
3/4"	20	91	78.6	32.5	65
6 mm		79	73	29	58
8 mm		79	73	29	58
10 mm		79	73	29	58
12 mm		79	78.6	29	58

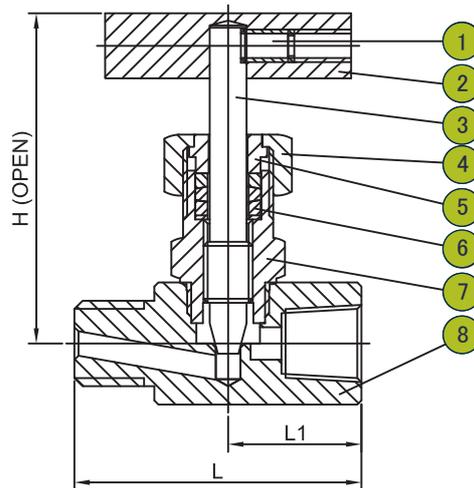


DIE ERSTE INDUSTRY CO., LTD.

www.die-erste.com  
info@die-erste.com

## SCREWED BONNET NEEDLE VALVE 6000PSI

### Model : Series NV10



#### Materials List:

NO.	PART NAME	MATERIAL
1	SET SCREW	SS304
2	HANDLE	SS410
3	STEM	SS316
4	GLAND NUT	SS304
5	GLAND	SS304
6	PACKING	PTFE
7	BONNET	ASTM A-351 CF8M
8	BODY	ASTM A-351 CF8M

#### Dimensions (mm):

SIZE	DIMENSIONS (mm)			
	DN	H	L	L1
1/4"	8	75	60	29
3/8"	10	75	60	29
1/2"	15	87	70	32.5
3/4"	20	90	75	35
1"	25	103	85	40

3