

# MOUNTING PAD 3-WAY BALL VALVE (VERTICAL)

## Model : Series MV

- Body Material**  
ASTM CF8M, DIN 1.4408
- Size Range**  
1/4" - 3" (DN8-DN80)
- Pressure Rating**  
1000 PSI, DIN PN63
- End Connection**  
Female pipe thread to NPT, DIN259/2999,and BS standards
- Temperature Range**  
-4°F to 350°F (-20°C to 180°C) with PTFE seats
- Features:**
  - Floating ball design
  - Regular port; availalbe in L/T-port



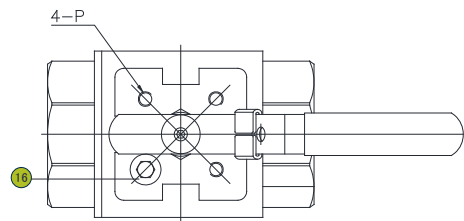
1

### MATERIALS LIST:

NO.	PART NAME	MATERIAL
1	BODY	ASTM A351 CF8M
2	CAP	ASTM A351 CF8M
3	BALL SEAT	PTFE
4	BALL	ASTM A351 CF8M
5	STEM	SS316
6	THRUST WASHER	PTFE
7	STEM PACKING	PTFE
8	BODY SEAL	PTFE
9	GLAND	SS304
10	HANDLE	SS304
11	HANDLE WASHER	SS304
12	UPPER HANDLE WASHER	SS304
13	HANDLE NUT	SS304
14	HANDLE SLEEVE	VINYL
15	LOCKING DEVICE	SS304
16	STOP PIN	SS304

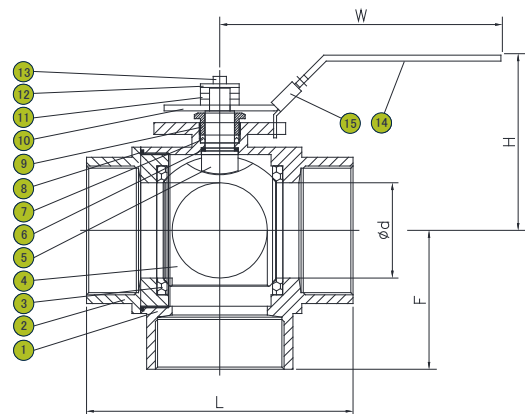
PORT TYPE \	1	2	3	4
L3	1 ⊗ 2	1 ⊗ 2	1 ⊗ 2	1 ⊗ 2
L2	1 ⊗ 2	1 ⊗ 2	1 ⊗ 2	1 ⊗ 2

PORT TYPE \	1	2	3	4
T3	1 ⊗ 2	1 ⊗ 2		
T4	1 ⊗ 2	1 ⊗ 2	1 ⊗ 2	1 ⊗ 2



### Dimensions (mm):

SIZE	d	L	H	W	S	H1	F	P	ISO 5211	
1/4"	8	11.0	57.2	62.7	133.4	9	10.9	29.0	M5*0.8	F03
3/8"	10	11.0	57.2	62.7	133.4	9	10.9	29.0	M5*0.8	F03
1/2"	15	12.5	66.0	64.7	133.4	9	10.9	34.5	M5*0.8	F03
3/4"	20	16.0	85.8	70.7	133.4	9	11.4	39.7	M5*0.8	F03
1"	25	20.0	88.5	73.2	133.4	9	11.4	46.0	M5*0.8	F04
1-1/4"	32	25.4	103.4	90.2	178.5	11	23.7	51.7	M6*1.0	F05
1-1/2"	40	31.8	111.1	93.7	178.5	11	23.7	61.0	M6*1.0	F05
2"	50	38.1	136.4	98.2	178.5	11	23.7	71.4	M6*1.0	F05
3"	50	65.0	182.0	125.5	265.5	14	23.5	94.7	M8*1.25	F07



Copyright © 2014 by DIE ERSTE INDUSTRY CO., LTD. Series MV V4.0

Due to continuous development of the products, DIE ERSTE reserves the right to alter the dimension and information contained in the document as required without notice. For specific performance data and proper material selection, please consult with your DIE ERSTE representatives.

