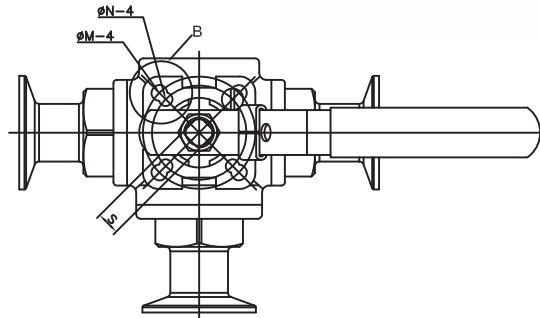


3-WAY CAVITY-FILLED BALL VALVE - TRI-CLAMP Model Series M5T (Formerly HC-3WDMCF)

- Body Material**
ASTM CF8M, DIN 1.4408
- Size Range**
1/4" - 2" (DN8-DN50), Standard port
- Pressure Rating**
1000 PSI, DIN PN63
- End Connection**
Tri-clamp, Female pipe thread to NPT, DIN259/2999, and BS standards
- Temperature Range**
-4°F to 350°F (-20°C to 180°C) with PTFE seats



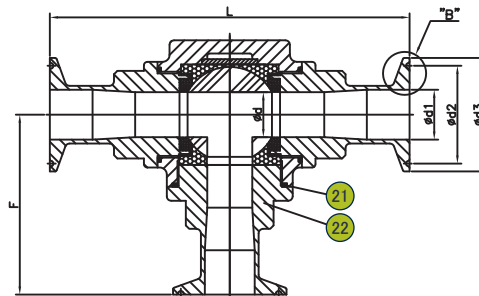
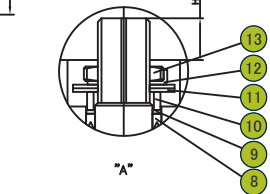
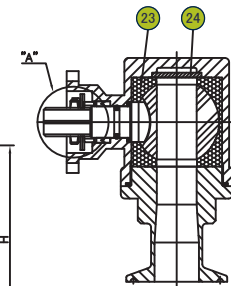
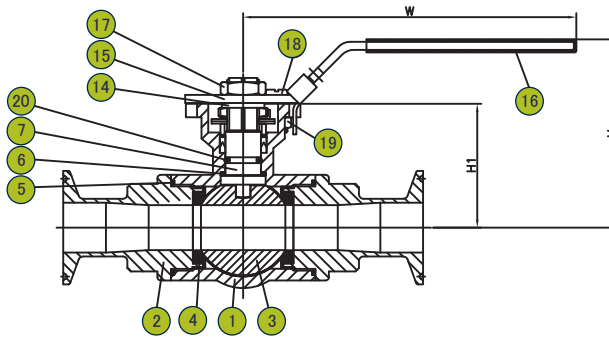
1/4"~11/4"

11/2"~2"



Materials List:

NO.	PART NAME	MATERIAL
1	BODY	CF8M
2	CAP	CF8M
3	BALL	CF8M
4	BALL SEAT	PTFE
5	BODY SEAL	PTFE
6	THRUST WASHER	PTFE
7	STEM	SS316
8	STEM PACKING	PTFE
9	THRUST WASHER	TFM 1600
10	GLAND	SS304
11	BELLEVILLE WASHER	SS304 CSP
12	LOCK SADDLE	SS304
13	STEM NUT	SS304
14	HANDLE WASHER	SS304
15	HANDLE	SS304
16	HANDLE SLEEVE	VINYL
17	HANDLE NUT	SS304
18	STOP PIN & SCREW	SS304
19	STOP PIN NUT	SS304
20	O-RING	VITON
21	BODY SEAL	PTFE
22	CAP	CF8M
23	BALL SEAT	PTFE
24	STUFFING	PTFE



"B" 1"~2"

"B" 1/2"~3/4"

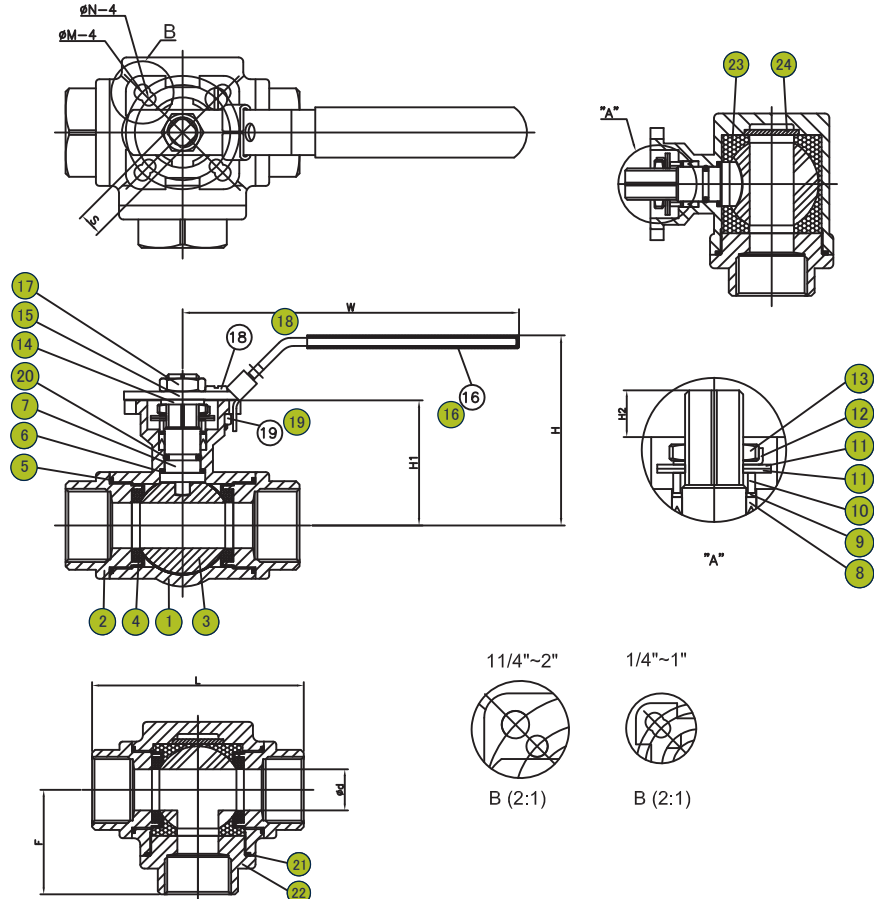
Dimensions:

SIZE	IN	DN	d	L	H	W	S	H1	H2	M	N	F	d1	d2	d3	ISO 5211
1/2"	15	12.5	133	64.9	132	9	36.8	8.2	6	6	67	9.4	20.24	25.2	F03/F04	
3/4"	20	12.5	142	64.9	132	9	36.8	8.2	6	6	71	15.75	20.24	25.2	F03/F04	
1"	25	20.0	160	94.3	180	11	55.1	11.5	7	6	80	22.1	43.5	50.5	F04/F05	
1-1/2"	38	32.0	182	115.7	225	14	75.2	15.1	9	7	91	34.8	43.5	50.5	F05/F07	
2"	50	38.0	216	124.9	225	14	84.4	15.1	9	7	132	47.5	56.5	64.0	F05/F07	

3-WAY CAVITY-FILLED BALL VALVE - THREAD END Model Series M5T (Formerly HC-3WDMCF)

Materials List:

NO.	PART NAME	MATERIAL
1	BODY	CF8M
2	CAP	CF8M
3	BALL	CF8M
4	BALL SEAT	PTFE
5	BODY SEAL	PTFE
6	THRUST WASHER	PTFE
7	STEM	SS316
8	STEM PACKING	PTFE
9	THRUST WASHER	TFM 1600
10	GLAND	SS304
11	BELLEVILLE WASHER	SS304 CSP
12	LOCK SADDLE	SS304
13	STEM NUT	SS304
14	HANDLE WASHER	SS304
15	HANDLE	SS304
16	HANDLE SLEEVE	VINYL
17	HANDLE NUT	SS304
18	STOP PIN & SCREW	SS304
19	STOP PIN NUT	SS304
20	O-RING	VITON
21	BODY SEAL	PTFE
22	CAP	CF8M
23	BALL SEAT	PTFE
24	STUFFING	PTFE

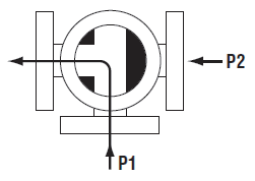


Dimensions:

SIZE IN	DN	d	L	H	W	S	H1	H2	M	N	F	ISO 5211
1/4"	8	11.0	75.7	68	131	9	36.8	8.2	6	6	38.3	F03/F04
3/8"	10	11.0	75.7	68	131	9	36.8	8.2	6	6	38.3	F03/F04
1/2"	15	16.0	86.6	74	131	9	44.1	9.0	6	6	44.7	F03/F04
3/4"	20	20.0	103.0	94	184	11	55.1	11.5	7	6	50.8	F04/F05
1"	25	25.0	118.2	100	184	11	60.7	11.5	7	6	57.7	F04/F05
1-1/4"	32	32.0	125.8	114	227	14	75.2	15.1	9	7	62.6	F05/F07
1-1/2"	38	38.0	149.0	124	227	14	84.4	15.1	9	7	74.3	F05/F07
2"	50	50.0	171.2	138	268	17	94.6	18.0	11	9	85.6	F07/F10

Application Limitation

Referring to below diagram, there is a limitation to the differential pressure between flow P2 and P1. Where $P2 > P1$, leakage from P2 to P1 could occur. The same logic follows for other L/T flow patterns.



2

DIE ERSTE reserves the right to change product design and specifications without notice. Copyright © 2014 by DIE ERSTE INDUSTRY CO., LTD.