

FLANGED END GLOBE VALVE

Model : Series GBF Class 150, NPS 2" ~ 8"

• Features:

Cast steel body construction providing liberal strength to meet most conditions
Integral yoke & bonnet; outside screw & yoke, bolted bonnet.
Seal welded seat ring eliminates leak path behind rings and for long trouble-free service.
Available in Flanged end connection; butt weld ends also available.
100% tested according to API 598.

• Standards

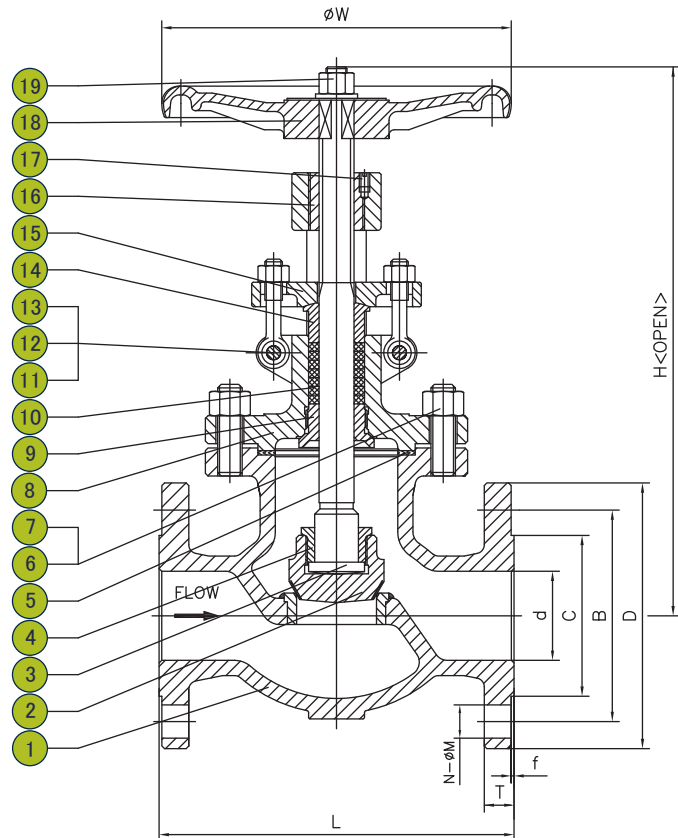
Design to ASME B16.34
Face-to-Face/End-to-End: ASME B16.10
Flange Dimensions: ASME B16.5
Weld End: ASME B.16.25
Basic Design: BS 1873
Testing to API 598

MATERIALS LIST:

NO.	PART NAME	MATERIAL
1	BODY	ASTM A216 WCB + 13Cr
2	DISC	ASTM A105 +13Cr
3	STEM	ASTM A182 F6a
4	DICS BONNET	AISI 1025
5	GASKET	SS304+FLEXIBLE GRAPHITE
6	BONNET BOLT	ASTM A193 B7
7	BONNET NUT	ASTM A194 2H
8	BONNET	ASTM A216 WCB
9	BACKSEAT BUSHING	ASTM A182 F6a
10	STEM PACKING	FLEXIBLE GRAPHITE
11	GLAND EYEBOLT	ASTM A193 B7
12	GLAND NUT	ASTM A194 2H
13	PIN	AISI 1025
14	GLAND	ASTM A182 F6a
15	GLAND FLANGE	ASTM A216 WCB
16	STEM NUT	BRONZE
17	GRUP SCREW	CARBON STEEL
18	HANDWHEEL	DUCTILE IRON
19	LOCK NUT	ASTM A194 2H

Dimensions (mm):

SIZE	DN	d	D	B	C	W	L	H	T	f	N	M
2"	51	51	152	120.5	92	200	203	373	16	1.6	4	19
2-1/2"	65	64	178	139.5	105	220	216	390	18	1.6	4	19
3"	80	76	190	152.5	127	250	241	421	19	1.6	4	19
4"	100	102	229	190.5	157	300	292	515	24	1.6	8	19
5"	125	127	254	216.0	186	350	356	538	24	1.6	8	22
6"	150	152	279	241.5	216	400	406	567	26	1.6	8	22
8"	200	203	343	298.5	270	450	495	626	29	1.6	8	22



FLANGED END GLOBE VALVE

Model : Series GBF Class 150, NPS 10" ~ 16"

• Features:

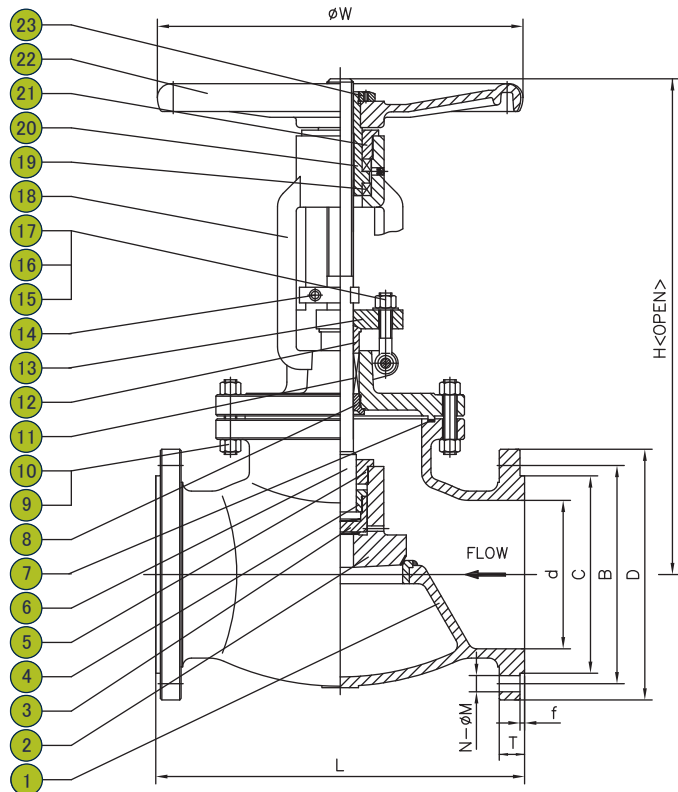
Cast steel body construction providing liberal strength to meet most conditions
Integral yoke & bonnet; outside screw & yoke, bolted bonnet.
Seal welded seat ring eliminates leak path behind rings and for long trouble-free service.
Available in Flanged end connection; butt weld ends also available.
100% tested according to API 598.

• Standards

Design to ASME B16.34
Face-to-Face/End-to-End: ASME B16.10
Flange Dimensions: ASME B16.5
Weld End: ASME B.16.25
Basic Design: BS 1873
Testing to API 598

MATERIALS LIST:

NO.	PART NAME	MATERIAL
1	BODY	ASTM A216 WCB + 13Cr
2	BIG DISC	ASTM A105 +13Cr
3	SMALL DISC	ASTM A105 +13Cr
4	SMALL DISC NUT	ASTM A105
5	BIG DISC NUT	ASTM A105
6	STEM	ASTM A182 F6a
7	GASKET	SS304+FLEXIBLE GRAPHITE
8	BACKSEAT BUSHING	ASTM A182 F6a
9	BONNET NUT	ASTM A194 2H
10	BONNET BOLT	ASTM A193 B7
11	STEM PACKING	FLEXIBLE GRAPHITE
12	GLAND	ASTM A182 F6a
13	GLAND FLANGE	ASTM A216 WCB
14	SPLINTS	CARBON STEEL
15	PIN	CARBON STEEL
16	GLAND EYEBOLT	ASTM A193 B7
17	GLAND NUT	ASTM A194 2H
18	BONNET	ASTM A216 WCB
19	BEARINGS	ALLOY STEEL
20	STEM NUT	ASTM A439 D2
21	RETAINING NUT	CARBON STEEL
22	HANDWHEEL	DUCTILE IRON
23	LOCK NUT	CARBON STEEL



Dimensions (mm):

SIZE	d	D	B	C	W	L	H	T	f	N	M	
in DN												
10"	250	254	406	362	324	450	622	712	31	1.6	12	25
12"	300	305	483	432	381	500	698	990	32	1.6	12	25
14"	350	337	533	476	413	550	787	1085	35	1.6	12	29
16"	400	387	597	540	470	600	914	1220	37	1.6	16	29

FLANGED END GLOBE VALVE

Model : Series GBF Class 300, NPS 2"~6"

• Features:

Cast steel body construction providing liberal strength to meet most conditions
Integral yoke & bonnet; outside screw & yoke, bolted bonnet.
Seal welded seat ring eliminates leak path behind rings and for long trouble-free service.
Available in Flanged end connection; butt weld ends also available.
100% tested according to API 598.

• Standards

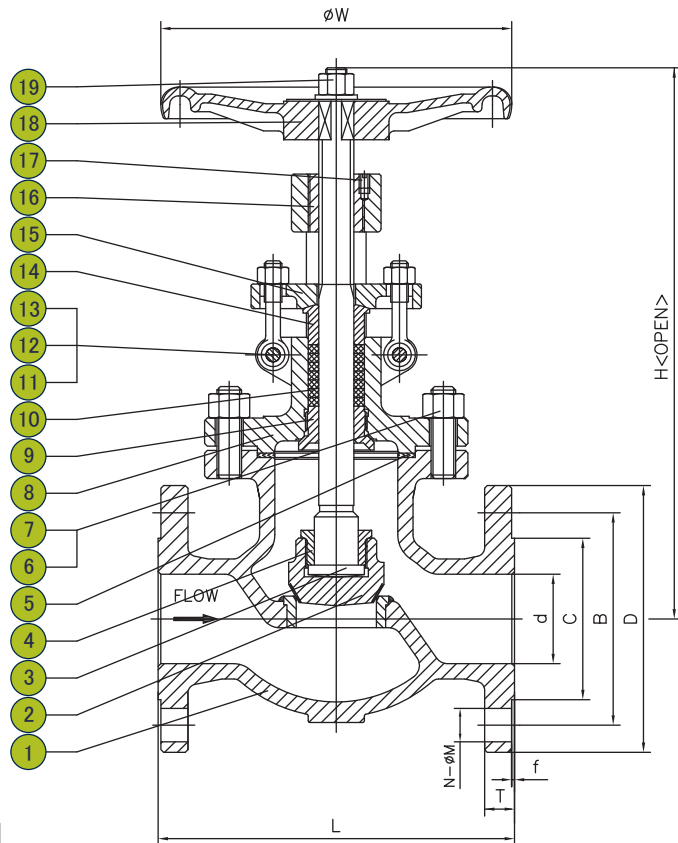
Design to ASME B16.34
Face-to-Face/End-to-End: ASME B16.10
Flange Dimensions: ASME B16.5
Weld End: ASME B.16.25
Basic Design: BS 1873
Testing to API 598

MATERIALS LIST:

NO.	PART NAME	MATERIAL
1	BODY	ASTM A216 WCB + 13Cr
2	DISC	ASTM A105 +13Cr
3	STEM	ASTM A182 F6a
4	DICS BONNET	AISI 1025
5	GASKET	SS304+FLEXIBLE GRAPHITE
6	BONNET BOLT	ASTM A193 B7
7	BONNET NUT	ASTM A194 2H
8	BONNET	ASTM A216 WCB
9	BACKSEAT BUSHING	ASTM A182 F6a
10	STEM PACKING	FLEXIBLE GRAPHITE
11	GLAND EYEBOLT	ASTM A193 B7
12	GLAND NUT	ASTM A194 2H
13	PIN	AISI 1025
14	GLAND	ASTM A182 F6a
15	GLAND FLANGE	ASTM A216 WCB
16	STEM NUT	BRONZE
17	GRUP SCREW	CARBON STEEL
18	HANDWHEEL	DUCTILE IRON
19	LOCK NUT	ASTM A194 2H

Dimensions (mm):

SIZE	DN	d	D	B	C	W	L	H	T	f	N	M
2"	50	51	165	127.0	92	200	267	398	23	1.6	8	19
2-1/2"	65	64	190	149.0	105	220	292	436	26	1.6	8	22
3"	80	76	210	168.5	127	250	318	462	29	1.6	8	22
4"	100	102	254	200.0	157	300	356	560	32	1.6	8	22
5"	125	127	279	235.0	186	350	400	620	35	1.6	8	22
6"	150	152	318	270.0	216	400	444	694	37	1.6	12	22



FLANGED END GLOBE VALVE

Model : Series GBF Class 300, NPS 8" ~ 12"

• Features:

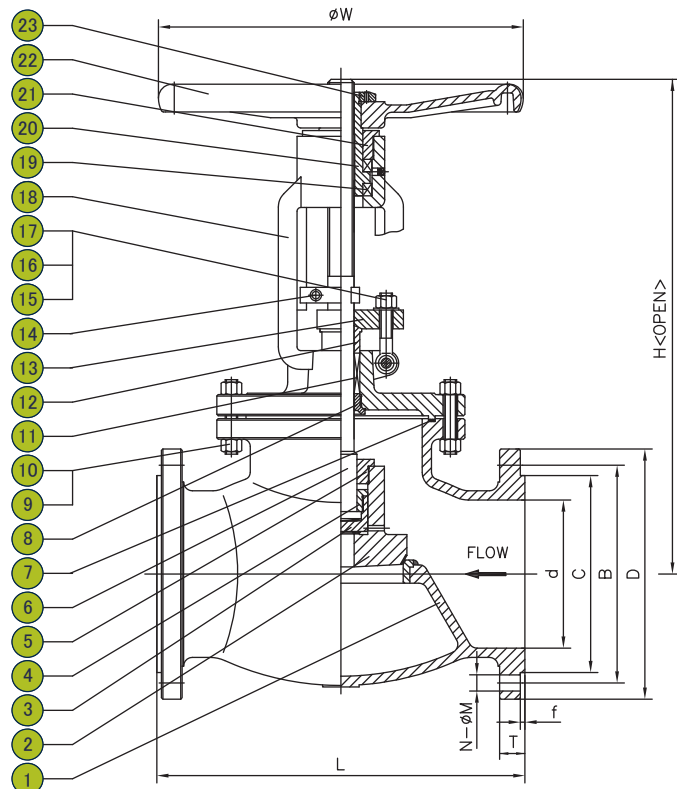
Cast steel body construction providing liberal strength to meet most conditions
Integral yoke & bonnet; outside screw & yoke, bolted bonnet.
Seal welded seat ring eliminates leak path behind rings and for long trouble-free service.
Available in Flanged end connection; butt weld ends also available.
100% tested according to API 598.

• Standards

Design to ASME B16.34
Face-to-Face/End-to-End: ASME B16.10
Flange Dimensions: ASME B16.5
Weld End: ASME B.16.25
Basic Design: BS 1873
Testing to API 598

MATERIALS LIST:

NO.	PART NAME	MATERIAL
1	BODY	ASTM A216 WCB + 13Cr
2	BIG DISC	ASTM A105 +13Cr
3	SMALL DISC	ASTM A105 +13Cr
4	SMALL DISC NUT	ASTM A105
5	BIG DISC NUT	ASTM A105
6	STEM	ASTM A182 F6a
7	GASKET	SS304+FLEXIBLE GRAPHITE
8	BACKSEAT BUSHING	ASTM A182 F6a
9	BONNET NUT	ASTM A194 2H
10	BONNET BOLT	ASTM A193 B7
11	STEM PACKING	FLEXIBLE GRAPHITE
12	GLAND	ASTM A182 F6a
13	GLAND FLANGE	ASTM A216 WCB
14	SPLITS	CARBON STEEL
15	PIN	CARBON STEEL
16	GLAND EYEBOLT	ASTM A193 B7
17	GLAND NUT	ASTM A194 2H
18	BONNET	ASTM A216 WCB
19	BEARINGS	ALLOY STEEL
20	STEM NUT	ASTM A439 D2
21	RETAINING NUT	CARBON STEEL
22	HANDWHEEL	DUCTILE IRON
23	LOCK NUT	CARBON STEEL



Dimensions (mm):

SIZE	d	D	B	C	W	L	H	T	f	N	M	
in	DN											
8"	200	203	381	330.0	270	450	559	900	42	1.6	12	25
10"	250	254	445	387.5	324	500	622	1000	48	1.6	16	29
12"	300	305	521	451.0	381	500	711	1130	51	1.6	16	32

FLANGED END GLOBE VALVE

Model : Series GBF Class 600, NPS 2"~4"

• Features:

Cast steel body construction providing liberal strength to meet most conditions
Integral yoke & bonnet; outside screw & yoke, bolted bonnet.
Seal welded seat ring eliminates leak path behind rings and for long trouble-free service.
Available in Flanged end connection; butt weld ends also available.
100% tested according to API 598.

• Standards

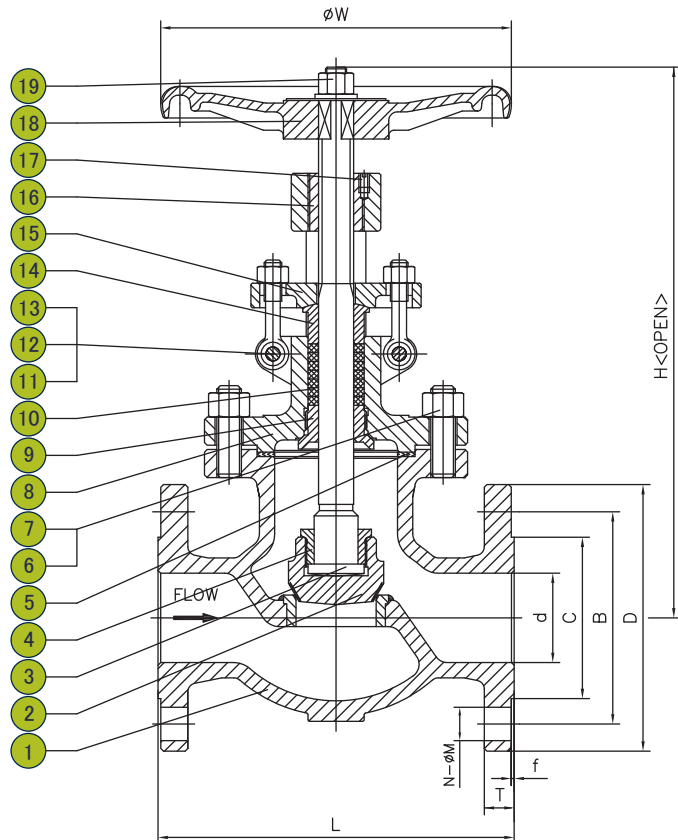
Design to ASME B16.34
Face-to-Face/End-to-End: ASME B16.10
Flange Dimensions: ASME B16.5
Weld End: ASME B.16.25
Basic Design: BS 1873
Testing to API 598

MATERIALS LIST:

NO.	PART NAME	MATERIAL
1	BODY	ASTM A216 WCB + 13Cr
2	DISC	ASTM A105 +13Cr
3	STEM	ASTM A182 F6a
4	DICS BONNET	AISI 1025
5	GASKET	SS304+FLEXIBLE GRAPHITE
6	BONNET BOLT	ASTM A193 B7
7	BONNET NUT	ASTM A194 2H
8	BONNET	ASTM A216 WCB
9	BACKSEAT BUSHING	ASTM A182 F6a
10	STEM PACKING	FLEXIBLE GRAPHITE
11	GLAND EYEBOLT	ASTM A193 B7
12	GLAND NUT	ASTM A194 2H
13	PIN	AISI 1025
14	GLAND	ASTM A182 F6a
15	GLAND FLANGE	ASTM A216 WCB
16	STEM NUT	BRONZE
17	GRUP SCREW	CARBON STEEL
18	HANDWHEEL	DUCTILE IRON
19	LOCK NUT	ASTM A194 2H

Dimensions (mm):

SIZE	in	DN	d	D	B	C	W	L	H	T	f	N	M
2"	50	51	165	127	92	250	292	425	26	6.4	8	19	
2-1/2"	65	64	190	149	105	280	330	502	29	6.4	8	22	
3"	80	76	210	168	127	300	356	521	32	6.4	8	22	
4"	100	102	273	216	157	350	432	620	38	6.4	8	25	



FLANGED END GLOBE VALVE

Model : Series GBF Class 600, NPS 6" ~ 10"

• Features:

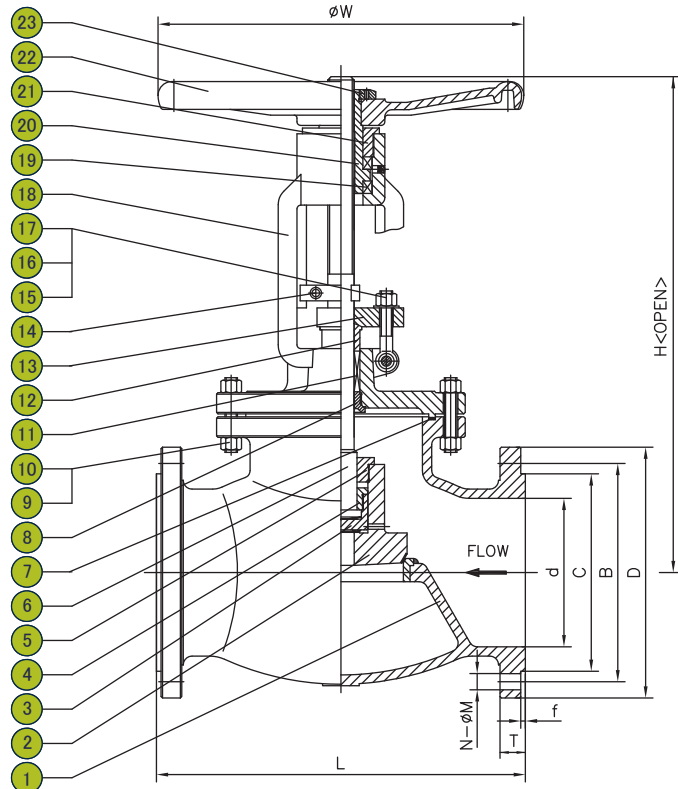
Cast steel body construction providing liberal strength to meet most conditions
Integral yoke & bonnet; outside screw & yoke, bolted bonnet.
Seal welded seat ring eliminates leak path behind rings and for long trouble-free service.
Available in Flanged end connection; butt weld ends also available.
100% tested according to API 598.

• Standards

Design to ASME B16.34
Face-to-Face/End-to-End: ASME B16.10
Flange Dimensions: ASME B16.5
Weld End: ASME B.16.25
Basic Design: BS 1873
Testing to API 598

MATERIALS LIST:

NO.	PART NAME	MATERIAL
1	BODY	ASTM A216 WCB + 13Cr
2	BIG DISC	ASTM A105 +13Cr
3	SMALL DISC	ASTM A105 +13Cr
4	SMALL DISC NUT	ASTM A105
5	BIG DISC NUT	ASTM A105
6	STEM	ASTM A182 F6a
7	GASKET	SS304+FLEXIBLE GRAPHITE
8	BACKSEAT BUSHING	ASTM A182 F6a
9	BONNET NUT	ASTM A194 2H
10	BONNET BOLT	ASTM A193 B7
11	STEM PACKING	FLEXIBLE GRAPHITE
12	GLAND	ASTM A182 F6a
13	GLAND FLANGE	ASTM A216 WCB
14	SPLITS	CARBON STEEL
15	PIN	CARBON STEEL
16	GLAND EYEBOLT	ASTM A193 B7
17	GLAND NUT	ASTM A194 2H
18	BONNET	ASTM A216 WCB
19	BEARINGS	ALLOY STEEL
20	STEM NUT	ASTM A439 D2
21	RETAINING NUT	CARBON STEEL
22	HANDWHEEL	DUCTILE IRON
23	LOCK NUT	CARBON STEEL



Dimensions (mm):

SIZE	d	D	B	C	W	L	H	T	f	N	M
in DN											
6" 150	152	356	292	216	500	559	886	48	6.4	12	29
8" 200	200	419	349	270	550	660	932	56	6.4	12	32
10" 250	248	508	432	324	700	787	1040	64	6.4	16	35