

# Series 1T Direct Mount

## Top Entry Ball Valve

Standard Port, Threaded, Buttweld, Socketweld  
½" – 4" (DN15 - 100)

800WOG

DIN PN55



API 598



ISO 5208



Safety  
Assurance

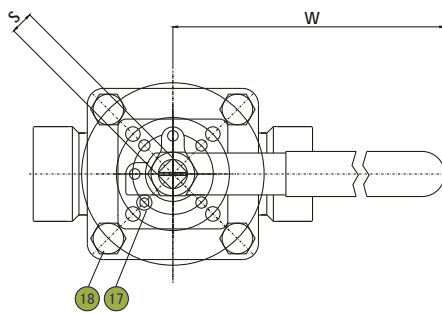
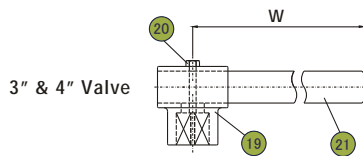
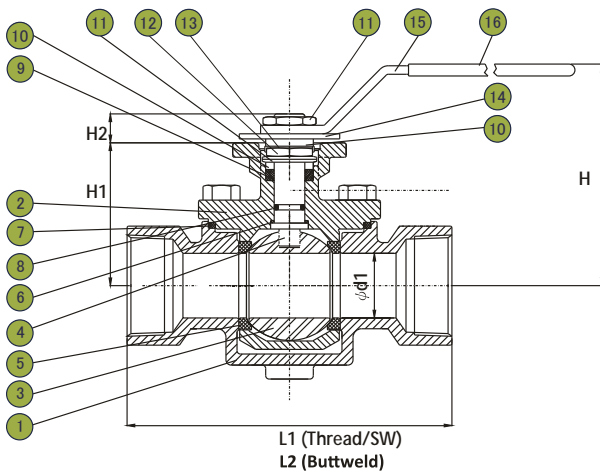
# In-line Maintenance Made Easy

Die Erste is proud to present Series 1T, Top-Entry ball valve for a revolutionary easy in-line maintenance experience. Better yet, equipped with the ever-important ISO 5211 direct-mounting pad, Series 1T offers the flexibility to be automated with actuator, or operated manually with hand lever.

Conventional v-style wedge-seated top-entry ball valves allow access to the body cavity without dismantling the valve from the pipeline, however requiring special tools and highly experienced workers to take out both ball and seats with care and precision. Series 1T Top-Entry ball valve offers easy and direct maintenance with special "basket" design, without the need for special tools or highly trained workers. In an instant, both the ball and seats can be lifted in the "basket" designed to contain both parts.

### Features and benefits

- Conveniently designed for simple in-line maintenance.
- Removal of the bonnet allows easy access for seat replacement.
- Design according to ASME B16.34.
- Low emission stem seal.
- Equipped with ISO 5211 direct-mounting pad
- Spring Return Deadman handle available



## CE marking **CE** 0035

The whole series of ball valves are approved according to European Directive 97/23/EC.

### Body Material

ASTM CF8M, CF8, WCB  
DIN 1.4408, 1.4308, 1.0619  
Super alloy or other material available upon request

### Size Range

1/2" – 4" Standard Port

### Pressure Rating

800 WOG, DIN PN55

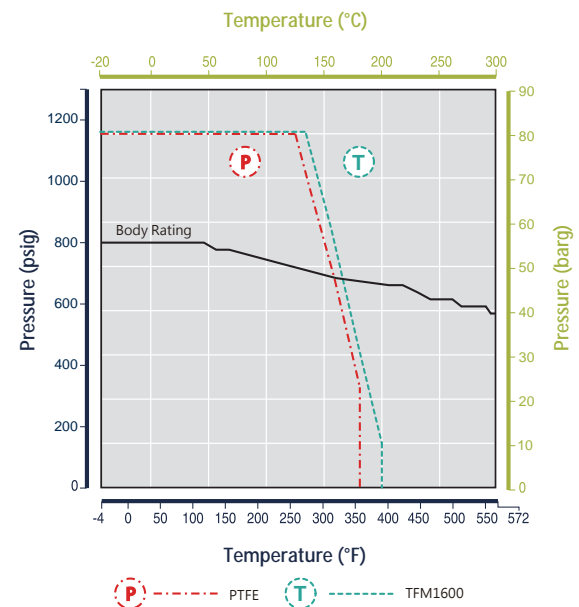
### Temperature Range

- -40°F to 400°F (-40°C to 200°C) with TFM 1600 seat
- -4°F to 350°F (-20°C to 180°C) with PTFE seat

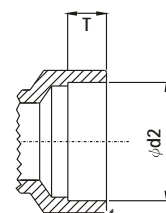
### End Connection

Threaded, Buttweld, Socketweld

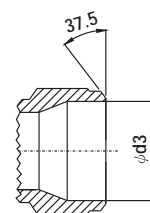
### Valve Body Rating with Seat Material Plot:



This table express Seat material resistance as declared by the original manufacturers. The values are to be considered with other parameters such as size, seat design and temperature limitations as governed by relevant standards such as ASME B16.34 or EN-12516.



Socket Weld End



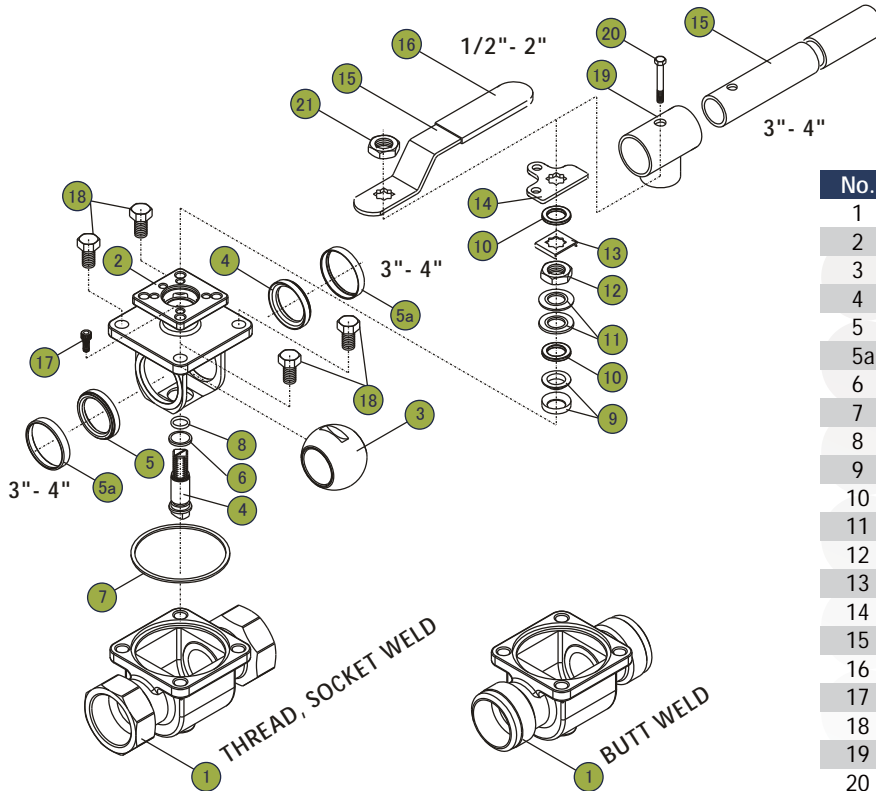
Butt Weld End

3| Series1T

Thread/SW/BW Ends Dimensions (mm)

size	d1	d2	d3 SCH 40	H	H1	H2	L1	L2	W	S	T	ISO 5211	Torque N.m
1/2"	19.5	21.8	15.5	96	65.0	14	127	140	165	11	12.7	F04/F05	8
3/4"	19.5	27.1	20.5	96	65.0	14	133	152	165	11	14.3	F04/F05	12
1"	19.5	33.8	26.5	96	65.0	14	140	165	165	11	15.9	F04/F05	12
1-1/2"	32.0	48.7	35.0	111	75.5	16	172	191	205	14	19.1	F05/F07	19
2"	38.0	61.1	40.5	111	80.5	16	191	216	205	14	22.2	F05/F07	29
3"	57.2	89.9	78.0	153	106.0	23	241	283	340	17	25.4	F07/F10	121
4"	76.0	115.2	102.0	153	130.1	23	280	305	340	17	32	F07/F10	188

Note: Torque measured at ambient temperature with no loading; safety factor is not included.



No.	Part Name	Material
1	BODY	CF8M/WCB
2	BONNET	CF8M/WCB
3	BALL	CF8M
4	STEM	SS 316
5	SEAT	TFM 1600
5a	SEAT RING	SS 316
6	THRUST WASHER	TFM 1600
7	BODY SEAL	TFM 1600
8	O-RING	VITON
9	STEM PACKING	TFM 1600
10	HANDLE WASHER	SS 304
11	BELLEVILLE WASHER	SS 301
12	STEM NUT	SS 304
13	LOCK SADDLE	SS 304
14	STOP PLATE	SS 304
15	HANDLE	SS 304/STEEL
16	HANDLE SLEEVE	PLASTIC
17	STOP PIN	SS 304
18	BONNET BOLTS	GRADE B8/B7
19	HANDLE ADAPTER	CF8
20	HANDLE BOLT	SS 304
21	HANDLE NUT	SS 304

# Accessories

## Automation

DIE ERSTE Series 1T Top-Entry Ball Valves are equipped with ISO 5211 direct mount design, easy for actuator installation without any brackets and spindles. Currently, DIE ERSTE provides VT Series pneumatic actuator and JS Series electric actuator for automation control purposes.

## How to order

VALVE TYPE	PORT	BODY MATERIAL	SEAT	TRIM	TYPE OF CONNECTION	PRESSURE RATING	SPECIAL REQUEST	SIZE OF CONNECTION	OTHERS
A	B	C	D	E	F	G	H	I	J



Taiwan  
5F-1, No.936,  
Sec. 4, Wen-Sin Road  
Taichung City, 406, Taiwan  
T +886(4)2231 0059  
F +886(4)2236 0236

Shanghai  
Room 1803-A, No.  
678, Gu-Bei Road  
Shanghai, China  
T +86(21)5777 3810  
F +86(21)5777 3819

DIE ERSTE INDUSTRY CO., LTD.  
www.die-erste.com | sales@die-erste.com

Copyright © 2014 by DIE ERSTE INDUSTRY CO., LTD. Series 1T V4.0

Due to continuous development of the products, DIE ERSTE reserves the right to alter the dimension and information contained in the document as required without notice. For specific performance data and proper material selection, please consult with your DIE ERSTE representatives