

## DIRECT MOUNT 4-WAY 4-SEATS FULL PORT BALL VALVE

### Model : Series M4 (Formerly EG4F)

- **Body Material**  
ASTM CF8M, DIN 1.4408
- **Size Range**  
1/2" - 3" (DN15-DN80)
- **Pressure Rating**  
1000 PSI, DIN PN63
- **End Connection**  
Buttweld  
Socketweld  
Female pipe thread to NPT, DIN259/2999, and BS standards
- **Temperature Range**  
-4°F to 350°F (-20°C to 180°C) with PTFE seats
- **Features:**
  - Direct-mounting of actuators
  - Available in L/T/X-port.
  - Floating design for size 1/2" - 2" (DN15-DN80)
  - Trunnion design for size > 2" (DN50)

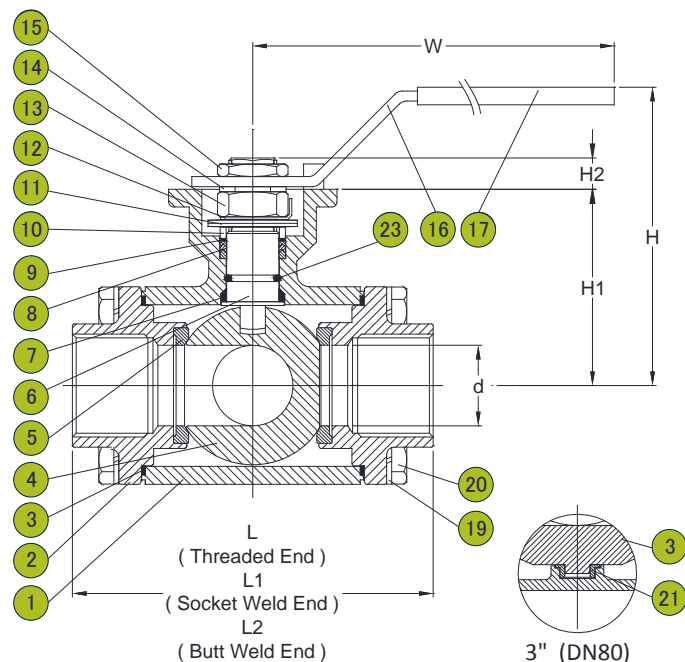
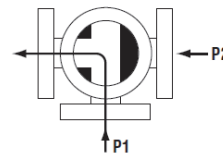


#### MATERIALS LIST:

NO.	PART NAME	MATERIAL
1	BODY	ASTM A351 CF8M
2	CAP	ASTM A351 CF8M
3	BODY SEAL	PTFE
4	BALL	ASTM A351 CF8M
5	BALL SEAT	RTFE
6	STEM	SS316
7	THRUST WASHER	RTFE
8	STEM PACKING	RTFE
9	UPPER THRUST WASHER	PTFE + 25% G.F.
10	GLAND	SS304
11	BELLEVILLE WASHER	SS410
12	LOCK SADDLE	SS304
13	STEM NUT	SS304
14	HANDLE WASHER	SS304
15	HANDLE NUT	SS304
16	HANDLE	SS304
16-1	HANDLE PIPE	IRON
17	HANDLE SLEEVE	VINYL
18	STOP PIN	SS304
19	BOLT WASHER	SS304
20	BODY BOLT	SS304
21	BALL BUSHING	PTFE
22	HANDLE ADAPTOR	ASTM A351 CF8
23	O-RING	VITON

#### Application Limitation ( Floating Design)

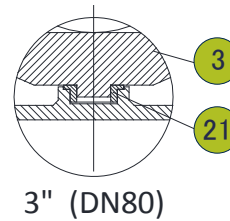
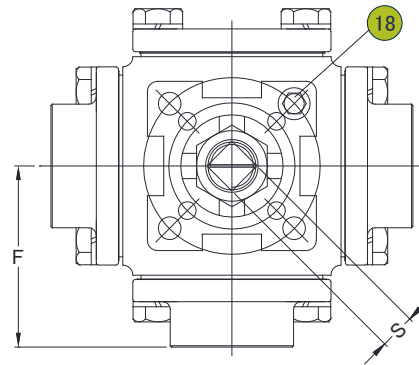
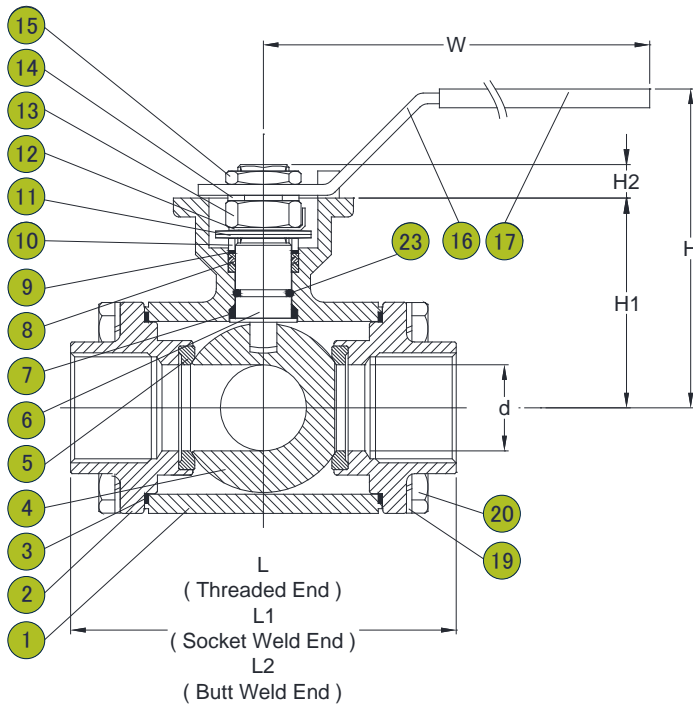
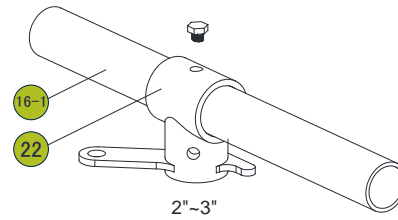
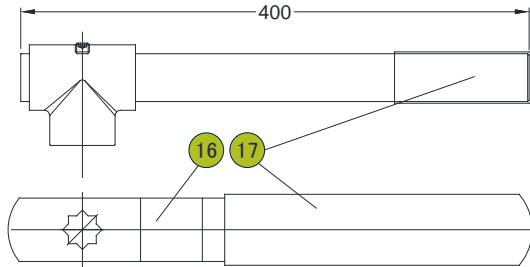
Referring to below diagram, there is a limitation to the differential pressure between flow P2 and P1. Where P2>P1, leakage from P2 to P1 could occur. The same logic follows for other L/T flow patterns.



TURN PORT	0°	90°	180°	270°
L				
T				

## DIRECT MOUNT 4-WAY 4-SEATS FULL PORT BALL VALVE

### Model : Series M4 (Formerly EG4F)



#### Dimensions (mm):

SIZE INCH	DN	d	L	L1	L2	H	W	S	H1	H2	F	Ls	D1	D2	D3	ISO 5211	Torque N.m.
1/2"	15	16.0	96.0	96.0	96.0	89.0	186.5	9	47.8	9.0	48.0	10.0	21.8	21.8	21.8	F04	9.8
3/4"	20	20.0	107.0	107.0	107.0	98.0	218.0	11	58.2	11.0	53.5	13.0	27.4	27.4	27.4	F05	17.6
1"	25	25.0	126.0	126.0	126.0	102.0	218.0	11	64.0	11.5	63.0	13.0	34.1	34.1	34.1	F05	29.6
1-1/4"	32	32.0	133.0	133.0	133.0	118.5	235.0	14	79.0	15.2	66.5	13.0	42.7	42.7	42.7	F05 / F07	55.8
1-1/2"	40	38.0	151.0	151.0	151.0	127.0	235.0	14	88.5	14.3	75.5	13.0	49.0	49.0	49.0	F05 / F07	78.4
2"	50	50.0	166.0	166.0	166.0	139.0	252.0	17	105.8	17.8	83.0	16.0	61.0	61.0	61.0	F07 / F10	161.0
2-1/2"	65	65.0	175.0	175.0	194.0	165.7	302.0	17	117.3	17.5	87.5	16.0	77.0	77.0	77.0	F07 / F10	225.0
3"	80	80.0	210.0	207.2	207.2	170.0	302.0	17	128.0	17.5	103.6	16.0	90.2	90.2	90.2	F07 / F10	245.0

Note: Torque measured at ambient temperature with no loading; safety factor is not included.

Copyright © 2014 by DIE ERSTE INDUSTRY CO., LTD. Series M4 V4.0

Due to continuous development of the products, DIE ERSTE reserves the right to alter the dimension and information contained in the document as required without notice. For specific performance data and proper material selection, please consult with your DIE ERSTE representatives.