

Explosion Proof Pressure Transmitter

Model: PT124B-282 (Intelligent type)



Description

PT124B-282 intelligent pressure transmitter adopted compensation technology of digital circuit, the output is 4-20mA, with HART optional, stainless steel sealed construction with LCD display, suitable for all kinds of industrial process measuring and controlling.

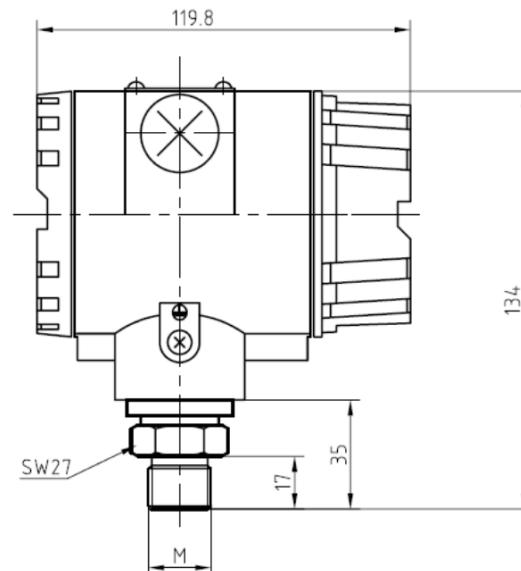
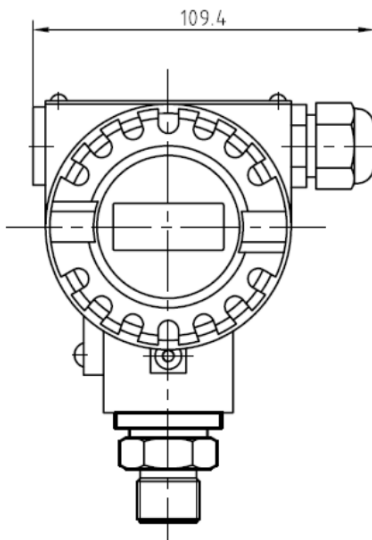
Application

- ◆ Petroleum and chemical
- ◆ Seam flow
- ◆ Hydraulic controlling

Feature

- ◆ Digital circuit compensation technology
- ◆ Intrinsically safe
- ◆ High accuracy, high stability
- ◆ Explosion proof shell with LCD display
- ◆ Output is 4-20mA, and load HART protocol

Dimension

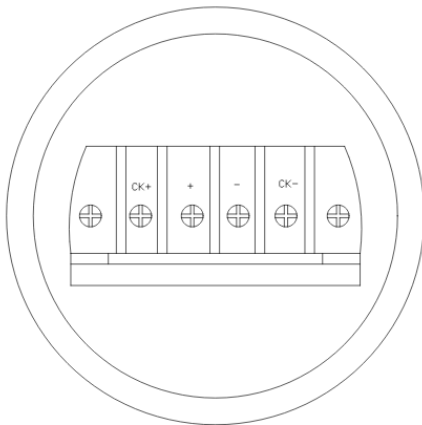


Remarks: Above dimension only for reference, we can tailor the product as you required.

Specification

Range	0...50mbar to 0...1000bar
Accuracy	0.25%FS, 0.5%FS
Linear	0.02%FS
Over pressure	150%FS
Output	4-20mA, HART option
Input voltage	24(12-36V)DC
Operation temperature	-40°C~125°C
Temperature compensation	-10°C~70°C
Explosion class	ExibII CT4
Electric connector	Terminal block
Process connector	M20x1.5,clamp,flange (optional)

Wiring Code



Wiring connector:
 Power supply Red
 Signal output Black

Wiring connector:

- 1, Terminal "CK+": Power supply
- 2, Terminal "CK-": Signal output

Order Guide

Model	Range(bar)	Output	Process connection	Electric connection	Other requirement
PT124B-282	---	---	---	---	---

Example:PT124B-282-100bar-4/20mA-M20*1.5-Direct shield cable

Instrument Best Expert Limited Partnership

34/915 หมู่ 1 ซอยวัดเลา ถนนพระราม 2 แขวงท่าข้าม เขตบางขุนเทียน จังหวัดกรุงเทพมหานคร 10150

34/915 Moo. 1 Soi WatLao, Rama 2 RD., Thakham, Bangkhunthain, Bangkok 10150

TEL. (662) 415 7364 FAX : (662) 415 7363 www.ibex2005.com e-mail : ibex2005@gmail.com