

Explosion Proof Pressure Transmitter

Model: PT124B-281 (Corrosive resistance)



Description

PT124B-281 intelligent pressure transmitter adopted piezoresistive pressure sensor, the output is 4-20mA, and stainless steel sealed construction with LCD display, polarity reversal protection

Application

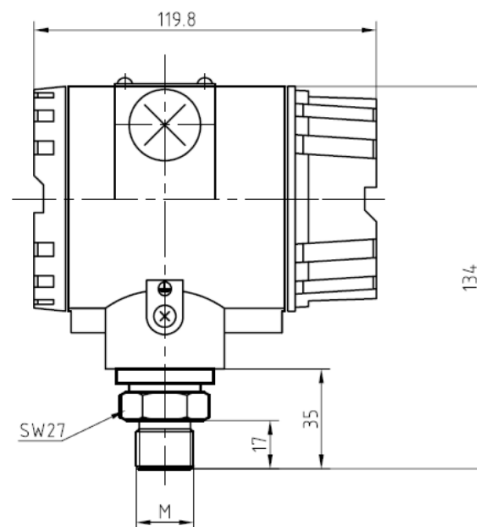
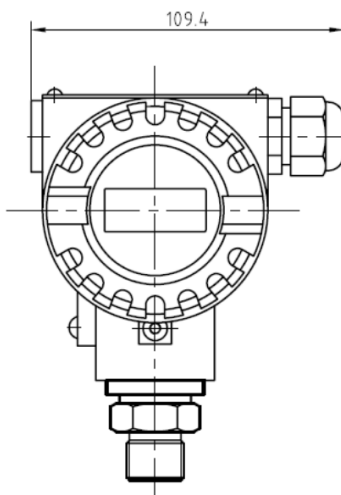
- ◆ Hydraulic pressure
- ◆ Building automation
- ◆ Ship
- ◆ Petroleum and chemical

Feature

- ◆ Stainless steel sealed construction
- ◆ Intrinsically safe
- ◆ Protection class:IP65
- ◆ Corrosion-resistance, with LCD display
- ◆ Wide temperature compensation
- ◆ High accuracy



Dimension

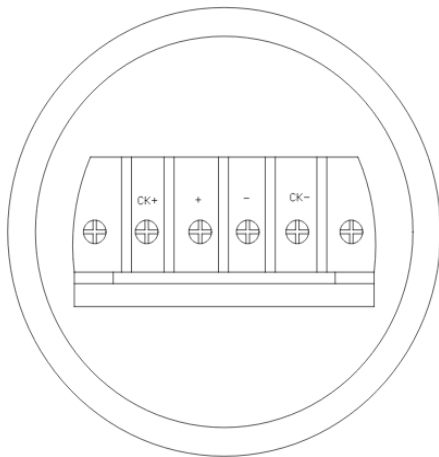


Remarks: Above dimension only for reference, we can tailor the product as you required.

Specification

Range	0...50mbar to 0...2000bar
Accuracy	0.5%FS
Linear	0.02%FS
Over pressure	150%FS
Out put	4-20mA;
Input voltage	24(12-36V)DC
Operating temperature	-40°C ~ 125°C
Temperature compensation	-10°C ~ 70°C
Explosion class	ExibII CT4
Electric connector	Terminal Block
Process connector	G1/2, M12, M20x1.5 (optional)

Wring Code



Wiring connector:
 Power supply Red
 Signal output Black

Wiring connector:
 1, Terminal "CK+": Power supply
 2, Terminal "CK-": Signal output

Order Guide

Model	Range(bar)	Output	Process connection	Electric connection	Other requirement
PT124B-281	---	---	---	---	---
Example:PT124B-281-100bar-4/20Ma-G1/2-Direct shield cable					

Instrument Best Expert Limited Partnership

34/915 หมู่ 1 ซอยวัดเลา ถนนพระราม 2 แขวงท่าข้าม เขตบางขุนเทียน จังหวัดกรุงเทพมหานคร 10150

34/915 Moo. 1 Soi WatLao, Rama 2 RD., Thakham, Bangkhunthain, Bangkok 10150

TEL. (662) 415 7364 FAX : (662) 415 7363 www.ibex2005.com e-mail : ibex2005@gmail.com