

Explosion Proof Pressure Transmitter

Model: PT124B-280 (standard type)



Description

PT124B-280 standard explosion proof pressure transmitter adopted exact compensation technology, high accuracy high stability, explosion proof shell with LCD display. This production adopted many new technology and new design, it also insure the quality and capability, suitable for all kinds of industrial process liquid measuring and controlling.

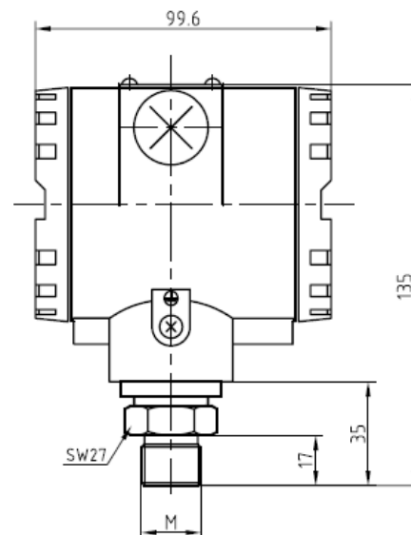
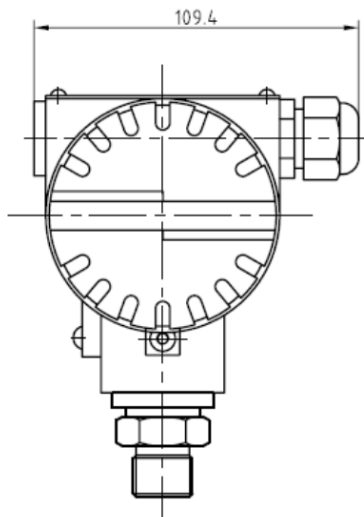
Application

- ◆ Hydraulic controlling
- ◆ Building automation
- ◆ Ship
- ◆ Petroleum and chemical

Feature

- ◆ High accuracy
- ◆ High stability
- ◆ Explosion proof shell with LCD display

Dimension



Remarks: Above dimension only for reference, we can tailor the product as you required.

Specification

Range	0...1bar to 0...2000bar
Accuracy	0.5%FS
Linear	0.02%FS
Over pressure	150%FS
Output	4-20mA
Input voltage	24(12-36V)DC
Operating temperature	-40°C~125°C
Temperature compensation	-10°C~70°C
Explosion class	ExibII CT4
Electric connector	Terminal Block
Process connector	G1/2, M12, M20x1.5 (optional)

Wiring Code

Remove the LCD display part, and then you will see there are terminals inside as below, please connect cables according to the wiring code.



Wiring Code

Terminal OUT+ Power Red
Terminal OUT- Signal Black

Terminal TEST +
Terminal TEST -

Remarks: The TEST just for current testing purpose if necessary.

Order Guide

Model	Range(bar)	Output	Process connection	Electric connection	Other requirement
PT124B-280	---	---	---	---	---
Example:PT124B-280-100bar-4/20Ma-G1/2-Direct shield cable					

Instrument Best Expert Limited Partnership

34/915 หมู่ 1 ซอยวัดเลา ถนนพระราม 2 แขวงท่าข้าม เขตบางขุนเทียน จังหวัดกรุงเทพฯ 10150

34/915 Moo. 1 Soi WatLao, Rama 2 RD., Thakham, Bangkhunthain, Bangkok 10150

TEL. (662) 415 7364 FAX : (662) 415 7363 www.ibex2005.com e-mail : ibex2005@gmail.com