

Industrial Pressure Transmitter

Model: PT124B-215 (Explosion proof)



Description

With stainless steel welding encapsulated component and lightning proof isolation device, PT124B-215 (Explosion Proof: EXiallCT4-6) has the character of corrosion proof, wide range temperature compensation, excellent linearity and diversifying output signal .This series can be suitable for liquid pressure measuring for explosion proof in automatization fields.



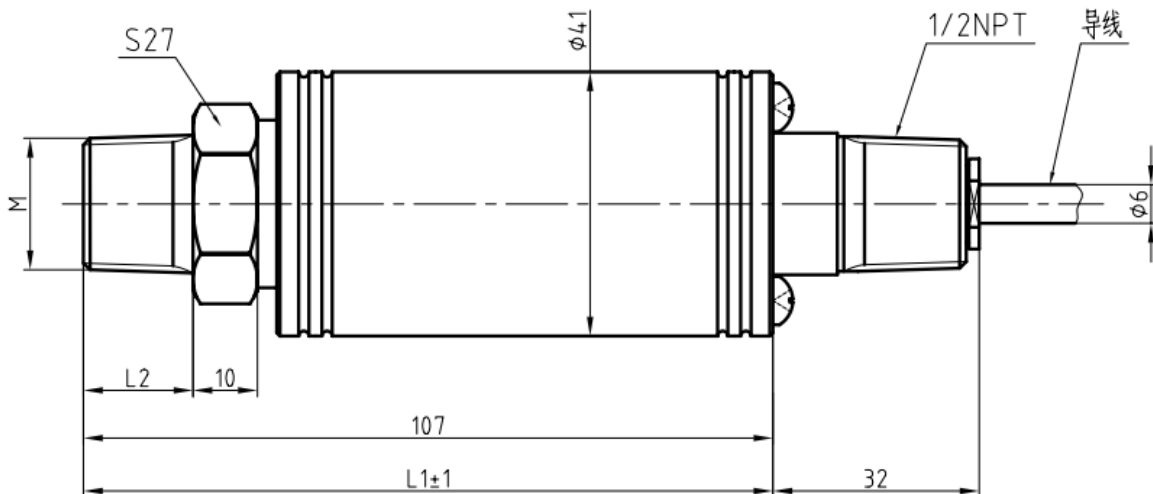
Application

- ◆ Mechanical Engineering Industry
- ◆ Hydraulic and level measurement
- ◆ Gas tank pressure monitoring
- ◆ Industrial test and control
- ◆ General industrial applications

Feature

- ◆ Pressure Range:0...0.2bar to 0...600bar available
- ◆ Various standard Industrial signal output
- ◆ All stainless steel and anticorrosive
- ◆ Stronger anti-jamming ability
- ◆ High stability & high sensitivity
- ◆ Intrinsically safe & explosion proof construction

Dimension



编号	a	b	c	d
M	R1/4	R1/2	NPT1/4	NPT1/2
L1	105	107	105	107
L2	15	17	15	17

Specification

Range	0....1bar to 0....1000bar
Accuracy	0.5%FS
Nonlinearity	0.2%FS
Reliability	0.05%FS
Output	4-20mA (2 Wire) , 0-5V; 0.5-4.5V
Input voltage	24(12~36)VDC (Amplify signal)
Work Temperature Range	-40~80℃
Compensated temp range	0~70℃
Overload pressure	150%FS
Medium material	stainless steel
Electric connection	1/2NPT conduit cable
Pressure connection	G1/4, G1/2, 1/2NPT, 1/4NPT, M12*1.5,etc (Customer design)

Electric Connection

Electric connector	2 wire(4-20mA)			3 wire (0-10V, 0-5V, 0.5-4.5V)		
Hirschman 	Pin	Function	Color	Pin	Function	Color
	1	E+/S+	Red	1	E+	Red
	2	E-/S-	Black	2	S+	Blue
	3	---	---	3	E-/S-	Black
M12,4Pin 	Pin	Function	Color	Pin	Function	Color
	1	E+	Brown	1	E+	Brown
	2	---	---	2	---	---
	3	E+	Blue	3	S+	Blue
	4	---	---	4	E-/S-	White
Cable 	Function	Color	Function	Color		
	E+	Red	E+	Red		
	S+	Black	S+	Blue		
	---	---	E-/S-	White		

Ordering Guide

Model	Range(bar)	Output	Screw Thread	Electric connection	Other requirement
PT124B-215	---	---	---	---	---

Example: PT124B-215-50Bar-4/20mA-G1/2- 1/2NPT conduit cable

Shanghai Zhaohui Pressure Apparatus Co., Ltd.

5-6F No.8 Building No.115, Lane 1276 Nanle Road Songjiang District Shanghai 201600 China
 Tel:+86-21-51691919 67755189 Fax:+86-21-67755185
 E-mail: info@zhyqsensor.com
 www.zhyqsensor.com

