

Melt Pressure Transmitter

Model: PT124B-122 (Sanitary)



Description

PT124B-122 Series Melt Pressure Transmitter (Steel stem & Sanitary) is the sanitary, filled with environment friendly medium. It has the wide application in Medicine & Food process equipment, drinking water environmental monitoring and etc.

Application

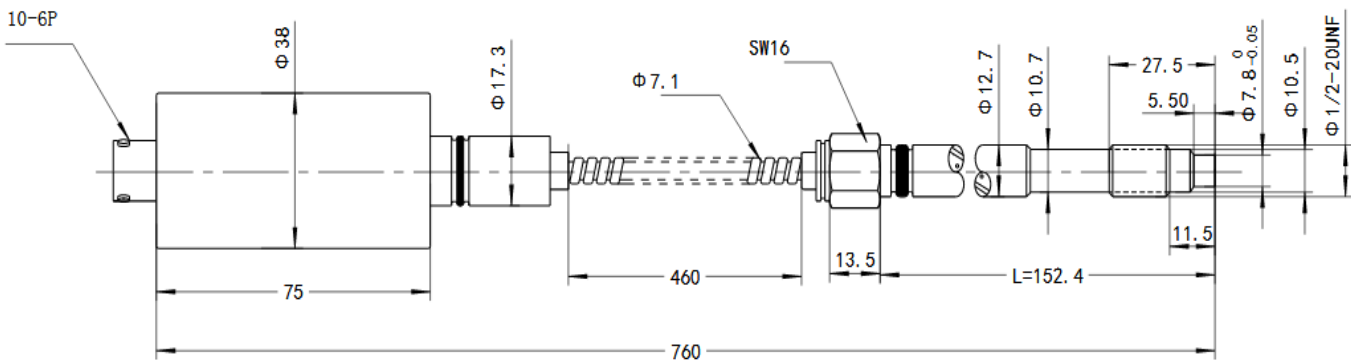
- ◆ Chemical fiber Equipment
- ◆ Plastic and Rubber manufacturing equipment
- ◆ Medicine & Food process equipment ,
- ◆ Drinking water environmental monitoring occasion
- ◆ Other pressure measurement and Control

Feature

- ◆ Stainless steel welding
- ◆ Easy to install
- ◆ Zero and span adjustable
- ◆ Various amplified signals optional
- ◆ Internal 80% shunt calibration
- ◆ Good stability and anti-jamming capability
- ◆ Excellent stability and repetition



Dimension

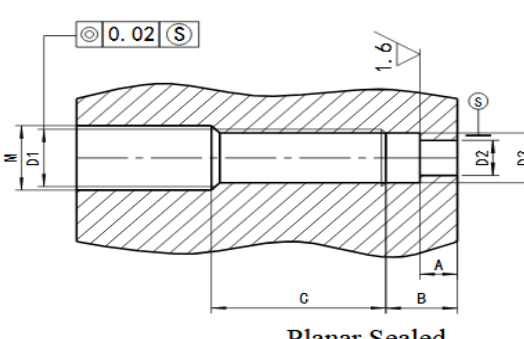
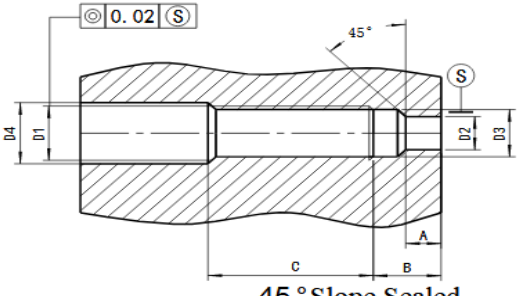


PT124B-122

Specification

Range:	0...10MPa to 0...150MPa (0...1500psi to 0...20000psi)
Output:	0~5V; 0~10V; 4-20mA
Accuracy:	±1%FS
Excitation:	24 (12~36V) DC
Repeatability:	±0.2%
Construction:	Wheatstone bridge
Bridge resistance:	350 ohms±10%
Overload pressure:	1.5×FSO
Internal calibration:	80%±1%
Insulation Resistance:	1000Megohms @50Vdc
Max Diaphragm Temp:	0~260°C
Thermocouple type:	J,K,E,PT100 Optional
Electric connector:	5PIN, 6PIN
Process connector:	1/2"-20UNF, M14×1.5, M18×1.5 (Customer design)

Mounting Hole

 <p>Planar Sealed</p>	D1	M22×1.5	M28×1.5	G3/4"	PT3/8"
	D2	Φ16.1	Φ18.3	Φ18.3	Φ10.3
	D3	Φ20.1	Φ26.1	Φ24.2	Φ14.9
	M	Φ23	Φ30	Φ21	Φ11
	A	11	12	12	14
	B	12	15	15	19
	C	40	35	35	40
	 <p>45° Slope Sealed</p>	D1	M12×1.5	M14×1.5	1/2-20UNF
D2		Φ8	Φ8	Φ8	Φ10.1
D3		Φ10.8	Φ12.5	Φ11.5	Φ16.1
D4		Φ12.5	Φ14.5	Φ13.1	Φ20
A		6	6	6	6.5
B		9	9.5	9.5	10

Ordering Guide

Model	Range(bar)	Output	Screw Thread	Electric Connection	Other requirement
PT124B-122	---	---	---	---	---

Example: PT124B-122-500Bar-4/20mA-1/2-20UNF-6PIN

Melt pressure transducer/transmitter

Operating instruction



Attention for installation

1, Installation

Do not remove protective cap until ready to install. Prior to initial installation, verify correct machining of mounting hole. Install with aluminum gasket. The electronics housing should be secured, with the enclosed mounting bracket.

2, Remove

Make sure that there is no remained metal or plastic; remove all of the transducers from the equipment before you clean the extruder. You can remove the transducer only when the polymer is molten. And clean the diaphragm of the transducer with soft cloth as soon as you remove it. At the same time, you can use ZHYQ's cleaning tool kit to clean the remained material in the mounting hole in order to install easily next time.

3, Start-up

Bring system to operating temperature, and with no pressure, follow recommended procedures with instrumentation for zero and span adjustment. Make sure that there is sufficient "soak time" to assure that any material at the tip of the transducer is molten before process is started.

4, Electrical house

The tip of the transducer can endure high temperature, but the shell (electrical house) only endure temperature lower than 80°C, so it should place in the room temperature. It can benefit for the accuracy and natural life of the transducer if you keep the shell from the high temperature.

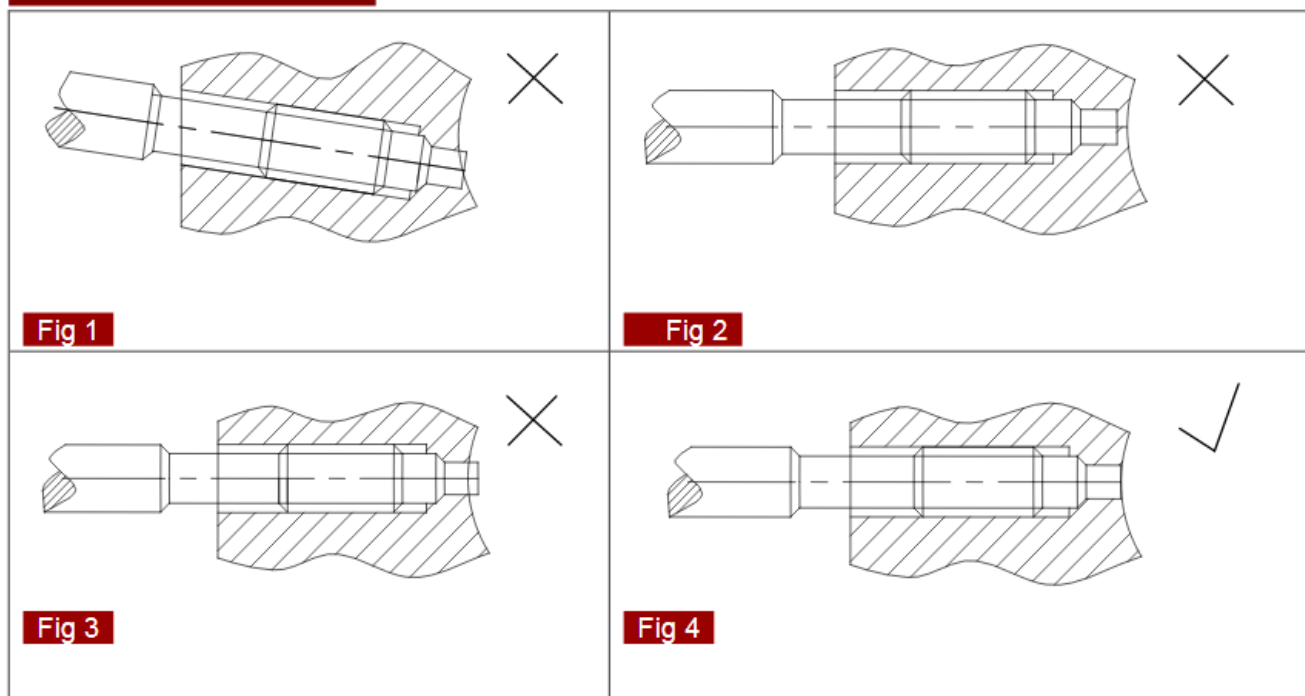
5, Overload effect

During the course of pressure measuring and controlling, it is better to make sure the transducer within the rated pressure, too long time overload the pressure will affect the accuracy and natural life of transducer, although the transducer own determinate overload ability.

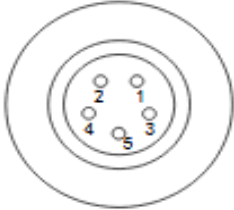
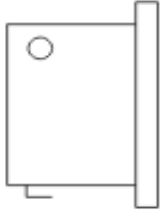
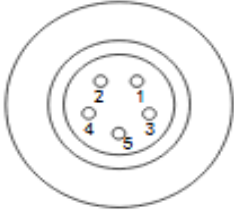
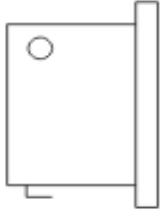
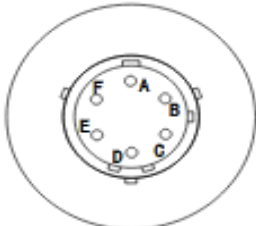
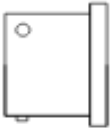
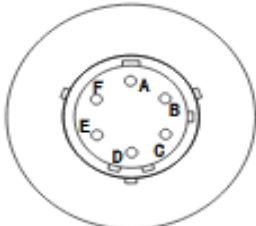
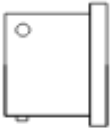
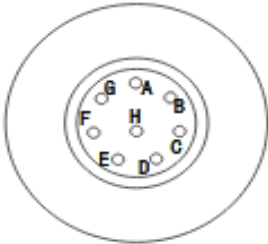

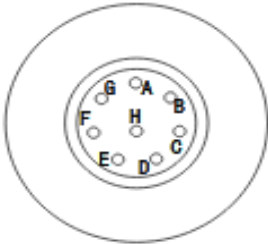

6, Wiring

Use shielded cable, attach cable shield to ground at one end only. In order to prevent the jamming.

Select correct installation



Wiring diagram

Output 0/5V,1-5V; 0/10V 0/0.5V 2.0mV/V	Function	Color	5PIN	 
	Signal +	Blue	1	
	Excitation +	Red	2	
	Signal -	White	3	
	Excitation -	Yellow	4	
Calibration	Black	5		
Output 4/20mA	Function	Color	5PIN	 
	Signal+	Blue	1	
	Excitation+	Red	2	
	Calibration	Yellow	4	
Calibration	Black	5		
Output 0-5V;1-5V; 0-10V; 0/0.5V 3.33mV/V	Function	Color	6PIN	 
	Signal +	Blue	A	
	Signal -	Green	B	
	Excitation +	Red	C	
	Excitation -	Yellow	D	
	Calibration	Brown	E	
Calibration	Black	F		
Output 4-20mA	Function	Color	6PIN	 
	E+ S+	Red	A	
	E- S-	Blue	B	
	Calibration	Yellow	E	
Calibration	Black	F		
Output 0-5V;1-5V; 0-10V; 0/0.5V 3.33mV/V	Function	Color	8PIN	 
	Excitation +	Red	A	
	Signal +	Blue	B	
	Excitation -	Yellow	C	
	Signal -	Green /White	D	
	Calibration	Brown	E	
	Calibration	Black	F	
	Blank	-	G, H	
Output 4-20mA	Function	Color	8PIN	 
	E+ S+	Red	A	
	E+ S+	Blue	B	
	Calibration	Yellow	E	
Calibration	Black	F		

Instrument Best Expert Limited Partnership

34/915 หมู่ 1 ซอยวัดเลา ถนนพระราม 2 แขวงท่าข้าม เขตบางขุนเทียน จังหวัดกรุงเทพมหานคร 10150

34/915 Moo. 1 Soi WatLao, Rama 2 RD., Thakham, Bangkhunthain, Bangkok 10150

TEL. (662) 415 7364 FAX : (662) 415 7363 www.ibex2005.com e-mail : ibex2005@gmail.com