

Melt Pressure Transmitter

Model: PT124B-112T (High precision)



Description

The model PT124B-112T comes with thermocouple, it can achieve the pressure and temperature measuring at one point. This series adopt special material and alloy elastic membrane to low down temperature draft and improve accuracy. The zero & full span can be calibrated, with amplify signal be connected with PLC, and internal 80% calibration. It has the wide application in high-temp liquid pressure measurement and control such as Chemical & Fiber equipment, polyester equipment, etc.

Application

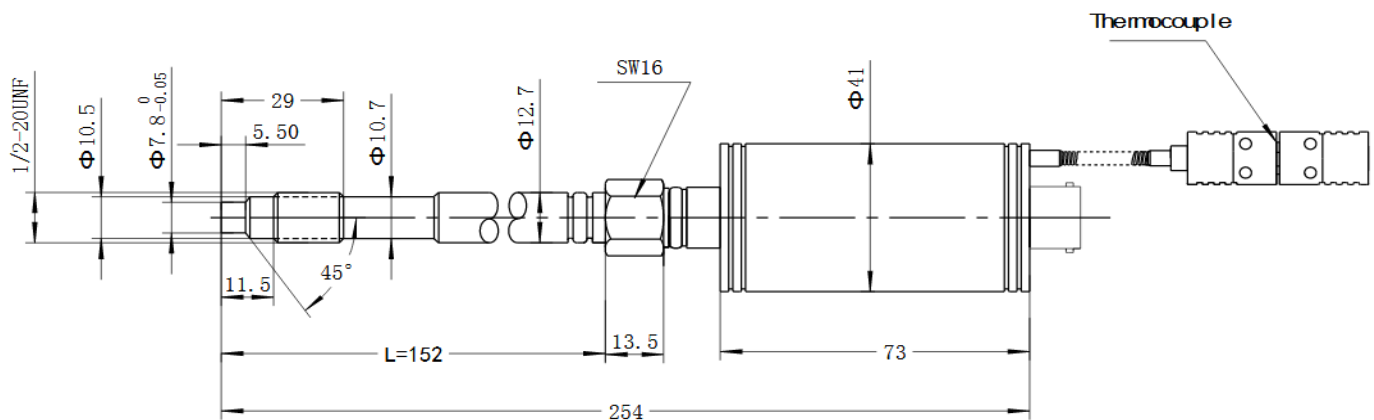
- ◆ Fiber Equipment
- ◆ Plastic and Rubber manufacturing equipment
- ◆ Other melt pressure measurement and Control

Feature

- ◆ High accuracy
- ◆ Stainless steel welding
- ◆ Easy to install
- ◆ Internal 80% calibration
- ◆ Excellent stability and repeatability



Dimension

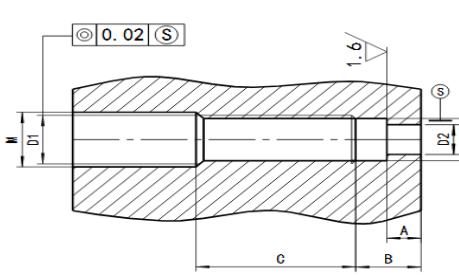
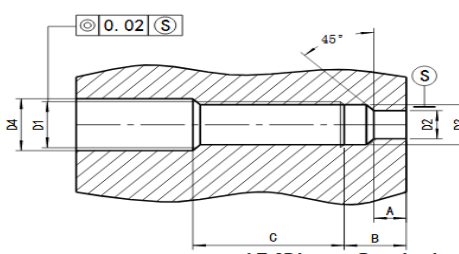


PT124B-112T

Specification

Range:	0....10Mpa to 0....150MPa (0...1500psi to 0...20000psi)
Output:	0~5V; 0~10V; 4-20mA
Accuracy:	±0.5%FS
Excitation:	24VDC (12~36)VDC
Repeatability:	±0.2%
Construction:	Wheatstone bridge
Bridge resistance:	350 ohms±10%
Overload pressure:	1.5×FSO
Internal calibration:	80%FSO±1%
Insulation Resistance:	1000Megohms @50Vdc
Max. Diaphragm Temp:	350°C
Electric connector:	5PIN, 6PIN
Process connector:	1/2"-20UNF, M14×1.5, M18×1.5 (Customer design)

Mounting hole

 <p>Planar Sealed</p>	D1	M22×1.5	M28×1.5	G3/4"	PT3/8"
	D2	Φ16.1	Φ18.3	Φ18.3	Φ10.3
	D3	Φ20.1	Φ26.1	Φ24.2	Φ14.9
	M	Φ23	Φ30	Φ21	Φ11
	A	11	12	12	14
	B	12	15	15	19
	C	40	35	35	40
 <p>45° Slope Sealed</p>	D1	M12×1.5	M14×1.5	1/2-20UNF	M18×1.5
	D2	Φ8	Φ8	Φ8	Φ10.1
	D3	Φ10.8	Φ12.5	Φ11.5	Φ16.1
	D4	Φ12.5	Φ14.5	Φ13.1	Φ20
	A	6	6	6	6.5
	B	9	9.5	9.5	10

Ordering Guide

Model	Range(bar)	Output	Screw Thread	Electric connection	Other requirement
PT124B-112T	---	---	---	---	---
Example: PT124B-112T-500Bar-4/20mA-1/2-20UNF-6PIN-J					

Instrument Best Expert Limited Partnership

34/915 หมู่ 1 ซอยวัดเลา ถนนพระราม 2 แขวงท่าข้าม เขตบางขุนเทียน จังหวัดกรุงเทพมหานคร 10150

34/915 Moo. 1 Soi WatLao, Rama 2 RD., Thakham, Bangkhunthain, Bangkok 10150

TEL. (662) 415 7364 FAX : (662) 415 7363 www.ibex2005.com e-mail : ibex2005@gmail.com