

Melt Pressure Transmitter

Model: PT124B-111



Description

PT124B-111 series is designed for plastic extruder machine; it can be used together with the N Series Intelligent Digital Pressure Instrument of ZHYQ or other similar instruments. Zero & full span can be adjustable, with amplify signal can be connected with PLC. With the advantage of high precision and reliable pressure measuring and good quality, internal 80% calibration and etc.

Application

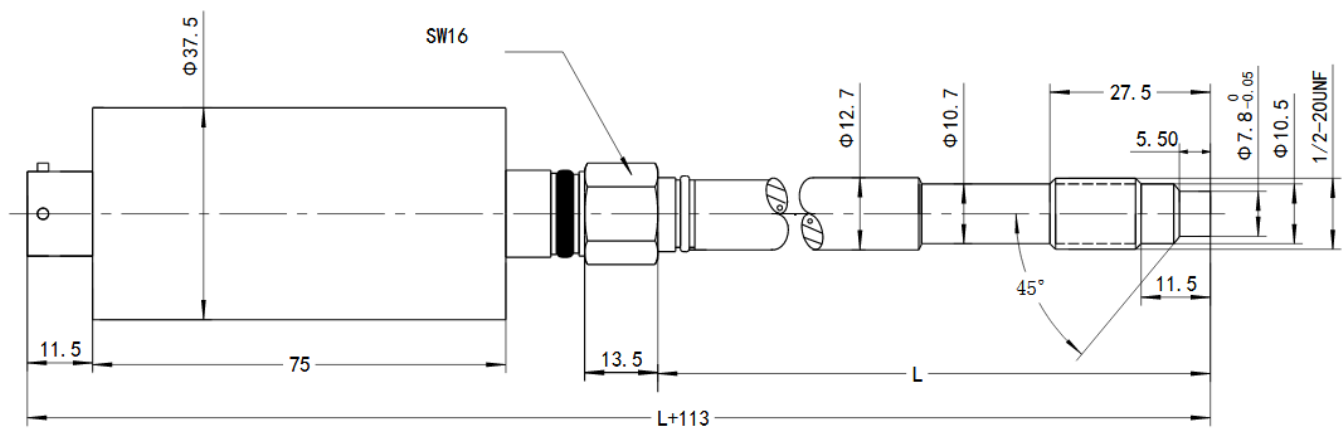
- ◆ Chemical fiber Equipment
- ◆ Plastic and Rubber manufacturing equipment
- ◆ Measure and Control all kinds of melt fluid

Feature

- ◆ High-standard quality
- ◆ Stainless steel Seal
- ◆ Simple Installation
- ◆ 80% inner calibration
- ◆ Excellent stability and repeatability



Dimension

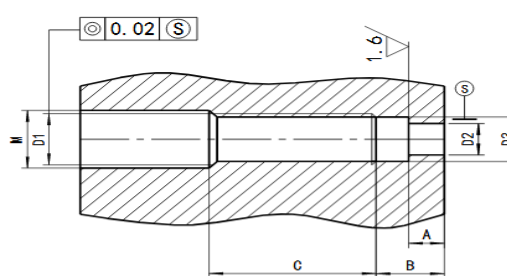
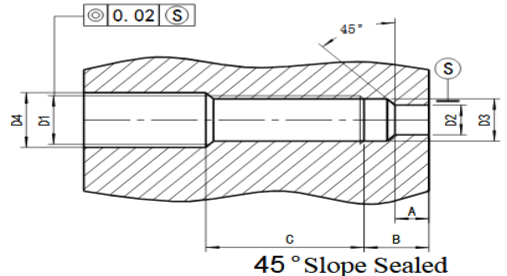


PT124B-111

Specification

Range:	0....10Mpa to 0....150MPa (0...1500psi to 0...20000psi)
Output :	0~5V; 1-5V; 0~10V; 4-20mA
Accuracy:	±1.0%FS
Input voltage:	24VDC
Repeatability:	±0.2%
Construction:	Wheatstone bridge
Bridge resistance:	350 ohms±10%
Overload pressure :	1.5×FSO
Internal calibration:	80%FSO±1%
Insulation Resistance:	1000Megohms @50Vdc
Max. Diaphragm Temp:	350°C
Electric connector:	5PIN, 6PIN
Process connector:	1/2"-20UNF, M14×1.5, M18×1.5 (Customer design)

Mounting hole

 <p>Planar Sealed</p>	D1	M22×1.5	M28×1.5	G3/4"	PT3/8"
	D2	Φ16.1	Φ18.3	Φ18.3	Φ10.3
	D3	Φ20.1	Φ26.1	Φ24.2	Φ14.9
	M	Φ23	Φ30	Φ21	Φ11
	A	11	12	12	14
	B	12	15	15	19
	C	40	35	35	40
	 <p>45° Slope Sealed</p>	D1	M12×1.5	M14×1.5	1/2-20UNF
D2		Φ8	Φ8	Φ8	Φ10.1
D3		Φ10.8	Φ12.5	Φ11.5	Φ16.1
D4		Φ12.5	Φ14.5	Φ13.1	Φ20
A		6	6	6	6.5
B		9	9.5	9.5	10

Ordering Guide

Model	Range(bar)	Output	Screw Thread	Electric connection	Other requirement
PT124B-111	---	---	---	---	---

Example: PT124B-111-500Bar-4/20mA-M14*1.5-5PIN

Instrument Best Expert Limited Partnership

34/915 หมู่ 1 ซอยวัดเลา ถนนพหลโยธิน แขวงท่าข้าม เขตบางขุนเทียน จังหวัดกรุงเทพมหานคร 10150

34/915 Moo. 1 Soi WatLao, Rama 2 RD., Thakham, Bangkhunthain, Bangkok 10150

TEL. (662) 415 7364 FAX : (662) 415 7363 www.ibex2005.com e-mail : ibex2005@gmail.com