

# Techtrol Bilge Level Switch 'TBS'



SINCE 1984

Is rugged, compact, slosh shielded submersible level switch for ship bilges, industrial sumps, reservoirs.

## Construction & Operation :

Simple and sturdy construction, consisting of float & guide tube, made of nonmagnetic material to achieve undisturbed magnetic flux. Float is protected from turbulence, foreign particles by providing external slosh shield arrangement.

The float has a magnetic system within it and moves freely along the guide tube, which contains hermetically sealed reed switch. Float follows liquid level & magnetically actuates the reed switch at defined position.

The switch is provided with manual test lever to use to check operation. Provided with 10 mtrs of integral cable.

## Installation & Wiring :

Mounted internally with help of mounting bracket at desired position. The level switch can be wired directly in series to operates electric loads like annunciation, mimic indication, PLC, which match the low switching capacity of reed contacts, however for higher loads like Contactor, motorized valves use Techtrol Controller or a Relay.

## Specifications:

Service : Water, Water+Oil  
 Max Temperature : 100°C  
 Max Test Pressure : 10Kg/cm<sup>2</sup>  
 Min Liquid Sp.Gr. : 0.8

### A - Switch

Switch type : Magnetically operated  
 Float & Guide tube : SS316  
 Switching Mechanism : Glass encapsulated hermetically sealed

### Reed Switch

Contact Rating : 60VA (SPDT)  
 Max S/W Voltage : 230VAC/DC  
 Max S/W Current : 2A  
 Switch Differential : 3~5mm  
 Termination : 3 Core silicon x 0.75mm2 silicon cable x 10 mtrs long

Ingress Protection : IP-68

### B - Protection Chamber

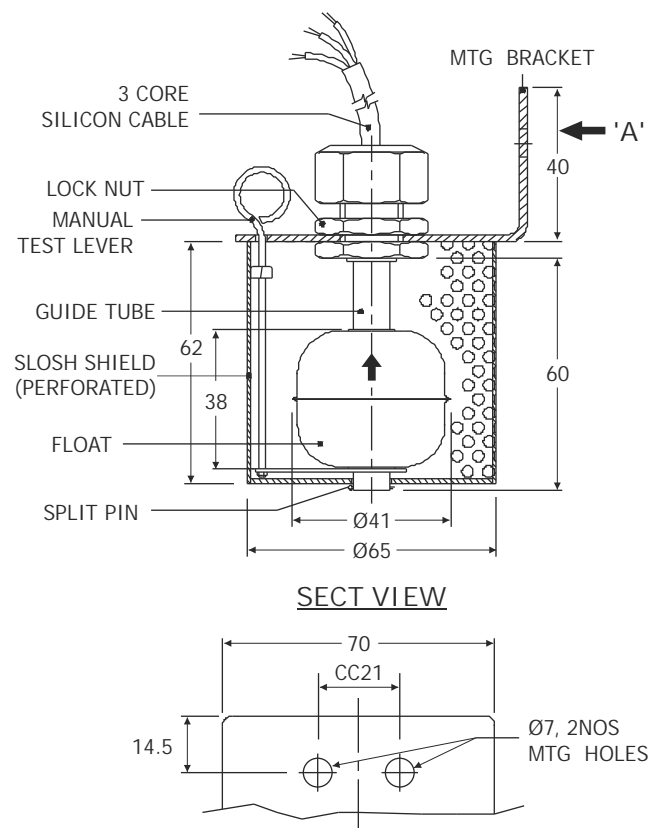
Slosh Shield : SS316 with perforation  
 Mounting : SS316 x wall type mtg bracket  
 Manual Test Lever : SS304

## Application / Service :

Ship bilges, industrial sumps, reservoirs, water, water+oil



## PARTIAL VIEW FROM ARROW 'A'



## PUNE TECHTROL PVT LTD

S-18, MIDC, Bhosari, Pune : 411026 India

+91-20-66342900, 27121052

66342998

ho@punetechtrol.com

www.punetechtrol.com



R A T E D

NSIC-CRISIL SE-1A

AREA REPRESENTATIVE :

All dimensions in mm, except specified.