

## DIRECT-MOUNT 4-WAY THREAD END BALL VALVE

### Model: Series HC-4WDM

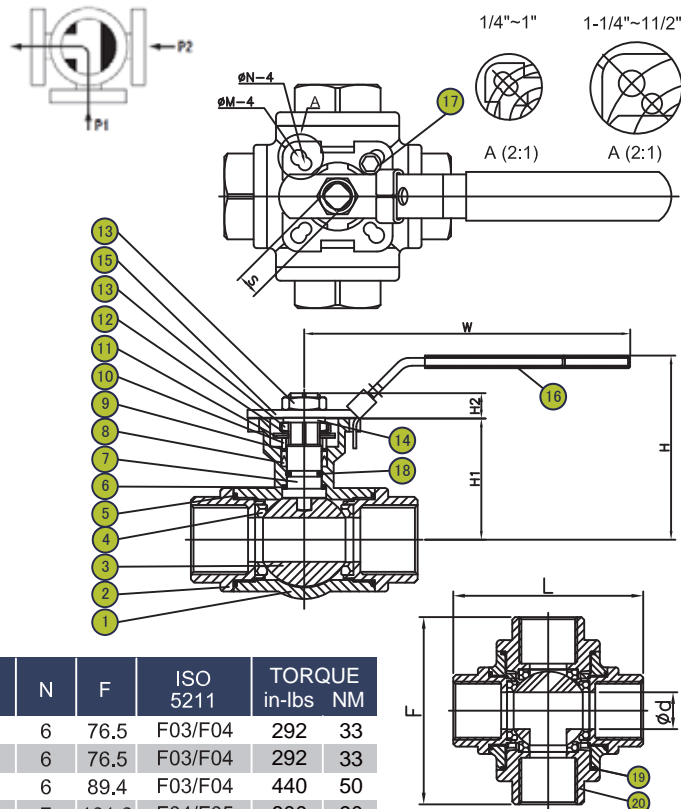
### FULL PORT

- Body Material**  
ASTM CF8M, DIN 1.4408
- Size Range**  
1/4" ~ 1-1/2" (DN8~DN40)
- Pressure Rating**  
1/4" ~ 1-1/4":1000 PSI (PN63), 1-1/2":800PSI (PN50)
- End Connection**  
Full Port
- Temperature Range**  
-4°F to 350°F (-20°C to 180°C) with PTFE seats
- Port**  
T-port, L-port, X-port



#### Application Limitation

Referring to below diagram, there is a limitation to the differential pressure between flow P2 and P1. Where  $P2 > P1$ , leakage from P2 to P1 could occur. The same logic follows for other L/T flow patterns.



#### Materials List:

NO.	PART NAME	MATERIAL
1	BODY	CF8M
2	CAP	CF8M
3	BALL	CF8M
4	BALL SEAT	PTFE
5	BODY SEAL	PTFE
6	THRUST WASHER	PTFE
7	STEM	ASTM A276 316
8	STEM PACKING	PTFE
9	THRUST WASHER	TFM 1600
10	GLAND	SS304
11	BELLEVILLE WASHER	SS304 CSP
12	LOCK SADDLE	SS304
13	STEM NUT	SS304
14	HANDLE WASHER	SS304
15	HANDLE	SS304
16	HANDLE SLEEVE	VINYL
17	STOP PIN & SCREW	SS304
18	O-RING	VITON
19	BODY SEAL	PTFE
20	CAP	CF8M

#### Dimensions (T, L, X Port 1/4" ~ 1-1/2") :

SIZE	DN	d	L	H	W	S	H1	H2	M	N	F	ISO 5211	TORQUE	TORQUE
IN	DN												in-lbs	NM
1/4"	8	11.0	75.7	68	131	9	36.8	8.2	6	6	76.5	F03/F04	292	33
3/8"	10	11.0	75.7	68	131	9	36.8	8.2	6	6	76.5	F03/F04	292	33
1/2"	15	16.0	86.6	74	131	9	44.1	9.0	6	6	89.4	F03/F04	440	50
3/4"	20	20.0	103.0	94	184	11	55.1	11.5	6	7	101.6	F04/F05	800	90
1"	25	25.0	118.2	100	184	11	60.7	11.5	6	7	115.4	F04/F05	1504	170
1-1/4"	32	32.0	125.8	114	227	14	75.2	15.1	7	9	125.2	F05/F07	1950	220
1-1/2"	40	38.0	149.0	123	227	14	84.4	15.1	7	9	148.6	F05/F07	3360	380

#### Dimensions (X Port 1/4" ~ 3/8") :

SIZE	DN	d	L	H	W	S	H1	H2	M	N	F	ISO 5211	TORQUE	TORQUE
IN	DN												in-lbs	NM
1/4"	8	8.0	75.7	68	131	9	36.8	8.2	6	6	76.5	F03/F04	292	33
3/8"	10	8.0	75.7	68	131	9	36.8	8.2	6	6	76.5	F03/F04	292	33

Note: Torque measured at ambient temperature with no loading; safety factor is not included.  
Select size(s) may be under development, please consult with us for details.

PORT TYPE	1	2	3	4
T				
L				
X				

# DIRECT-MOUNT 4-WAY THREAD END BALL VALVE

## Model: Series HC-4WDM

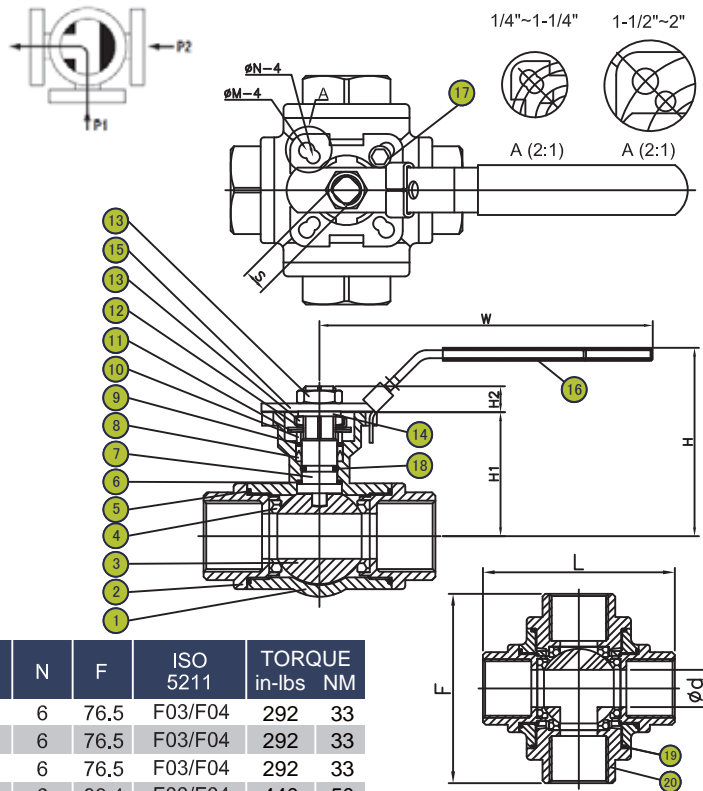
REGULAR PORT

- Body Material**  
ASTM CF8M, DIN 1.4408
- Size Range**  
1/4" ~ 2" (DN8-DN50)
- Pressure Rating**  
1/4" ~ 1-1/2":1000 PSI (PN63), 2":800PSI (PN50)
- End Connection**  
Regular Port
- Temperature Range**  
-4°F to 350°F (-20°C to 180°C) with PTFE seats
- Port**  
T-port, L-port, X-port



### Application Limitation

Referring to below diagram, there is a limitation to the differential pressure between flow P2 and P1. Where P2>P1, leakage from P2 to P1 could occur. The same logic follows for other L/T flow patterns.



### Materials List:

NO.	PART NAME	MATERIAL
1	BODY	CF8M
2	CAP	CF8M
3	BALL	CF8M
4	BALL SEAT	PTFE
5	BODY SEAL	PTFE
6	THRUST WASHER	PTFE
7	STEM	ASTM A276 316
8	STEM PACKING	PTFE
9	THRUST WASHER	TFM 1600
10	GLAND	SS304
11	BELLEVILLE WASHER	SS304 CSP
12	LOCK SADDLE	SS304
13	STEM NUT	SS304
14	HANDLE WASHER	SS304
15	HANDLE	SS304
16	HANDLE SLEEVE	VINYL
17	STOP PIN & SCREW	SS304
18	O-RING	VITON
19	BODY SEAL	PTFE
20	CAP	CF8M

### Dimensions( T , L , X Port 1/4" ~ 2" ) :

SIZE		d	L	H	W	S	H1	H2	M	N	F	ISO 5211	TORQUE	
IN	DN												in-lbs	NM
1/4"	8	11.0	75.7	68	131	9	36.8	8.2	6	6	76.5	F03/F04	292	33
3/8"	10	11.0	75.7	68	131	9	36.8	8.2	6	6	76.5	F03/F04	292	33
1/2"	15	12.5	75.7	68	131	9	36.8	8.2	6	6	76.5	F03/F04	292	33
3/4"	20	16.0	86.6	74	131	9	44.1	9.0	6	6	89.4	F03/F04	440	50
1"	25	20.0	103.0	94	184	11	55.1	11.5	6	7	101.6	F04/F05	800	90
1-1/4"	32	25.0	118.2	100	184	11	60.7	11.5	6	7	115.4	F04/F05	1504	170
1-1/2"	40	32.0	125.8	114	227	14	75.2	15.1	7	9	125.2	F05/F07	1950	220
2"	50	38.0	149.0	123	227	14	84.4	15.1	7	9	148.6	F05/F07	3360	380

### Dimensions( X Port 1/4" ~ 3/8" ) :

SIZE		d	L	H	W	S	H1	H2	M	N	F	ISO 5211	TORQUE	
IN	DN												in-lbs	NM
1/4"	8	8.0	75.7	68	131	9	36.8	8.2	6	6	76.5	F03/F04	292	33
3/8"	10	8.0	75.7	68	131	9	36.8	8.2	6	6	76.5	F03/F04	292	33

PORT TYPE	1	2	3	4
T				
L				
X				

Note: Torque measured at ambient temperature with no loading; safety factor is not included.

Select size(s) may be under development, please consult with us for details.

Copyright © 2016 by DIE ERSTE INDUSTRY CO., LTD. Series HC-4WDM V4.0

Due to continuous development of the products, DIE ERSTE reserves the right to alter the dimension and information contained in the document as required without notice. For specific performance data and proper material selection, please consult with your DIE ERSTE representatives.

DIE ERSTE INDUSTRY CO., LTD. is an ISO 9001:2008 DIE ERSTE GROUP registered company with operations in Taiwan and China.