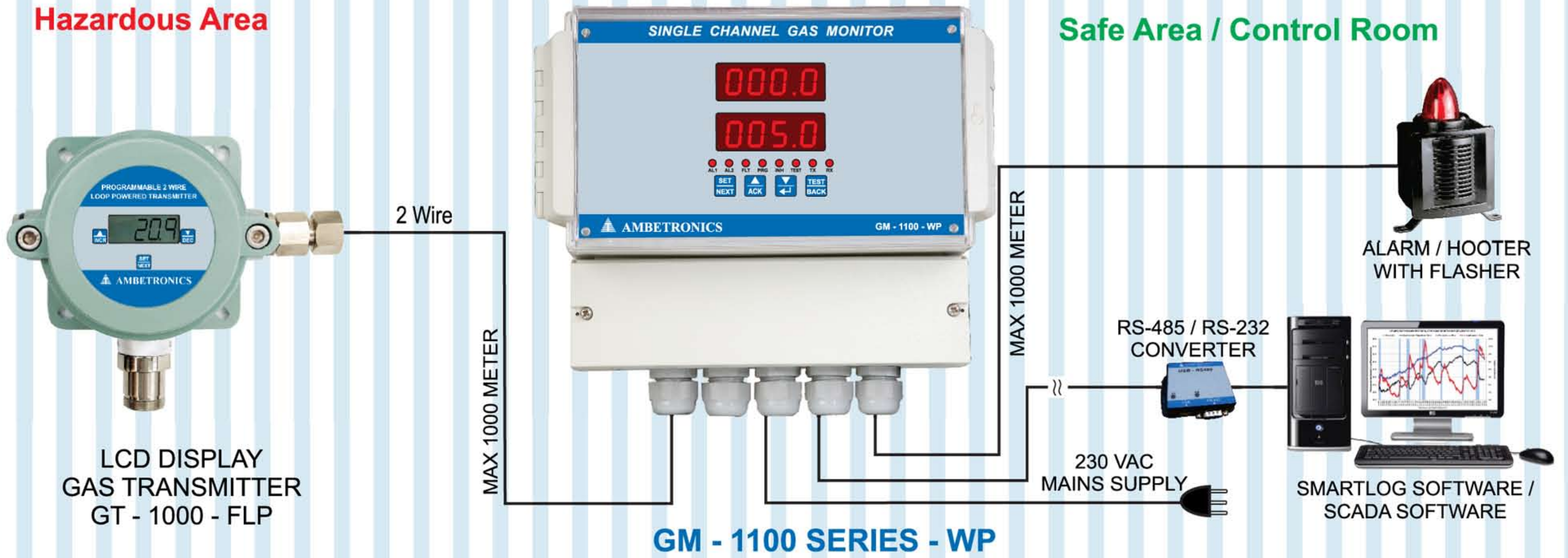


## SINGLE GAS ALERT MONITOR OXYGEN / TOXIC / COMBUSTIBLE GASES

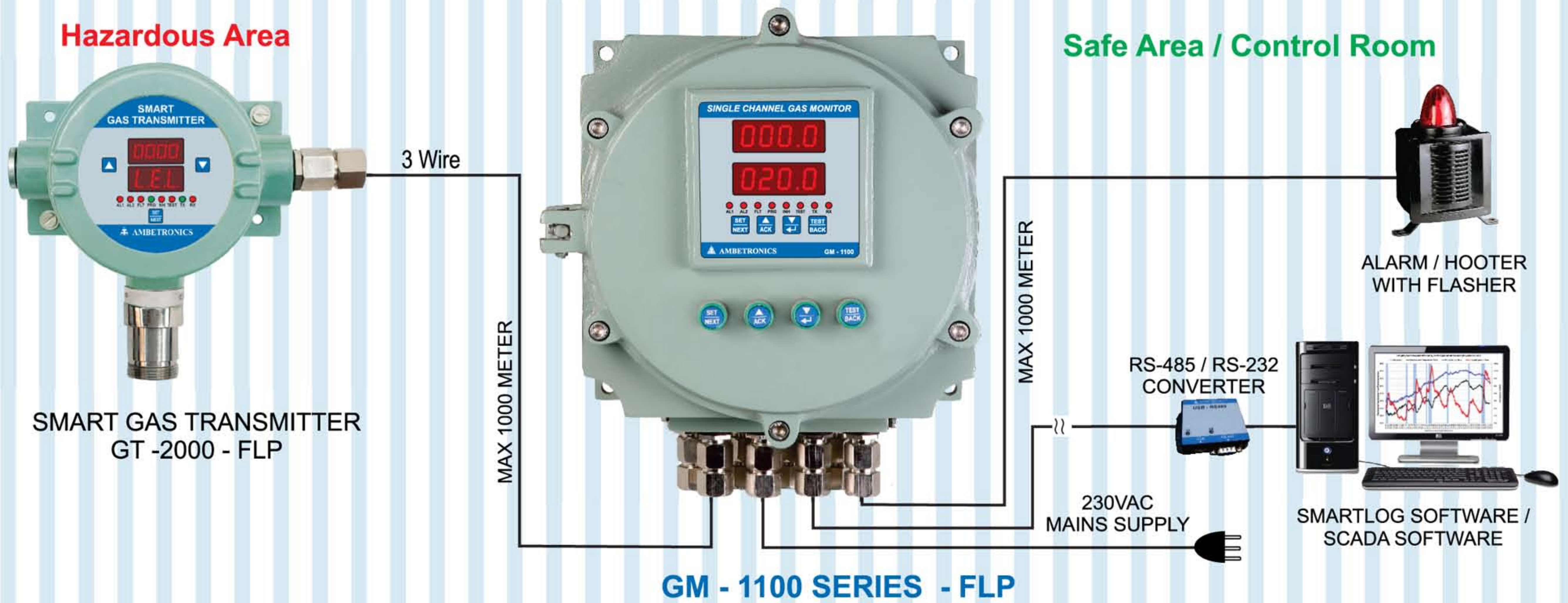
**Hazardous Area**

**Safe Area / Control Room**



**Hazardous Area**

**Safe Area / Control Room**



### Features

- Dual Display of Gas Concentration & Set Point / Unit of Gas
- Microcontroller Based Latest, Accurate, Reliable & High Performance Technology that Eliminates False Alarm
- Advance Warning and Alarm Output
- Audio Visual Alarm Indication
- Two Independent Alarm Relay Output
- Optional Programmable Linear 4 - 20mA / 20-4 mA O/P with Respect to Gas Concentration
- Optional RS-485 with Modbus RTU Protocol
- Easy One Man Calibration at Site
- Suitable In Hazardous Area CCOE, CMRI & IP - 65 Approved
- User Friendly Operation
- Password Protected Programming with Password changing facility

### Applications

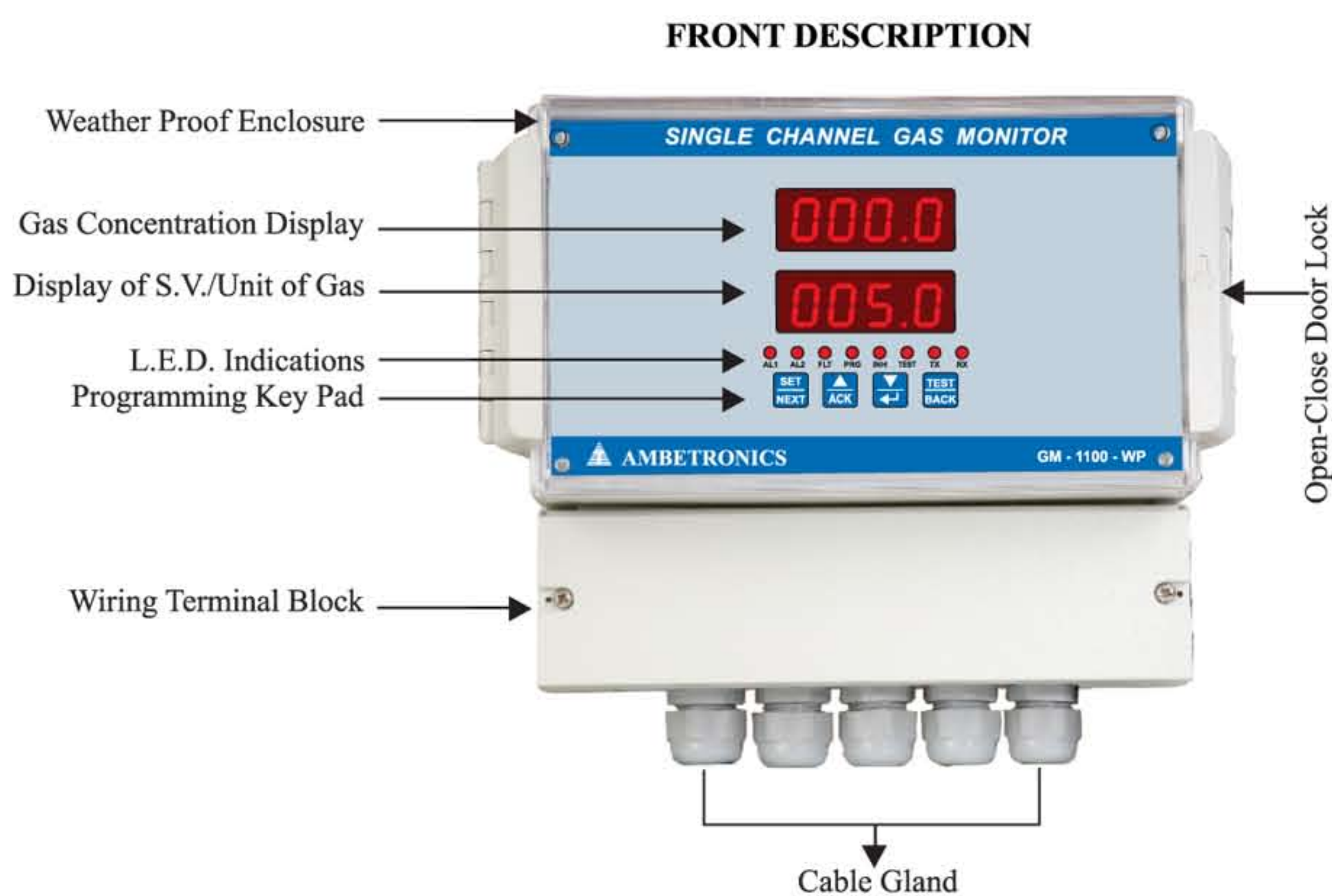
- Oil & Gas Industries
- Chemical & Petrochemical Plants
- Chemical Processing Plant
- Pulp & Paper Plants
- Acid Alkalizes & Dyes Mfg. Plants
- Offshore Drilling & Processing Platforms
- Refineries
- Stack Monitoring
- Chemical Storage Area
- Ambient Monitoring
- Sewage Plants
- Fertilizers Plants
- Power & Industrial Plants
- Gas Metering Station
- Bullet Yard / Storage Yard
- Coal Mine and Confined Area
- Gas Pipeline Project
- Gas Cylinder Bank
- Heat Treatment Plants
- Automotive Industries / Paint Shops
- Burner / Furnace Areas

**MUST FOR HUMAN AND INDUSTRIAL SAFETY**

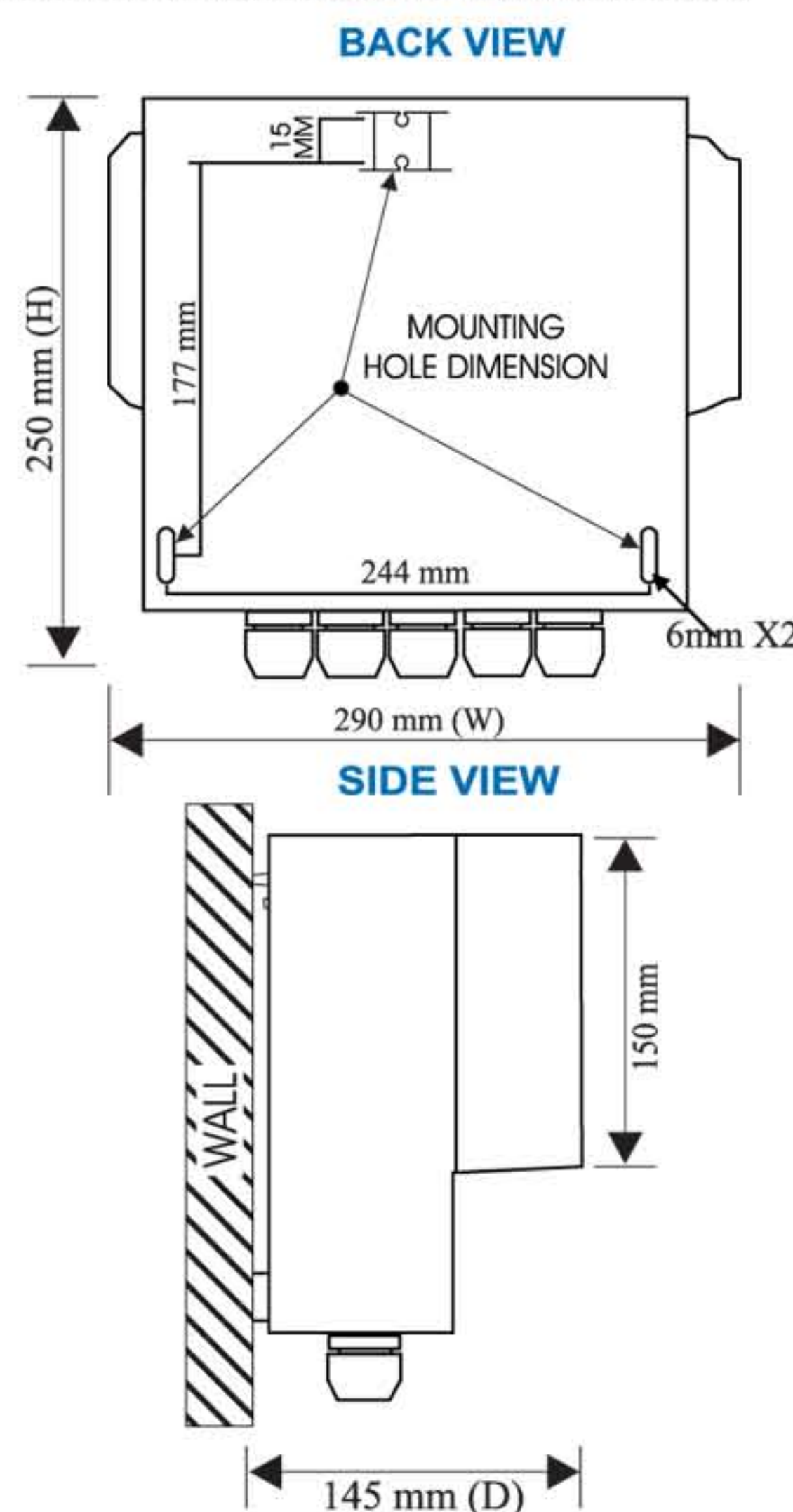
# TECHNICAL SPECIFICATIONS

<b>Input</b>	4 to 20mA output from Oxygen / Toxic / Combustible Gas Transmitters	
<b>Range</b>	0 to 9999 In units of P.P.M. OR % L.E.L. OR % VOL. programmable by user	
<b>Resolution</b>	1 / 0.1 Resolution programmable by user	
<b>Accuracy</b>	± 1 % of full scale value	
<b>Dual Display</b>	Upper :- 4 Digit of 13mm(H) Red LED display for 'Gas Concentration' indication	
	Lower :- 4 Digit of 13mm(H) Red LED display for 'Set Point Value' of Alarm Relay-1/ Unit of Gas	
<b>LED Indication</b>	AL1 & AL2 for Relay, FLT for Fail-Safe Relay, PRG for Programming mode, INB for Service / Inhibit mode,	
	TST for Test mode, TX for Transmitting signal, RX for Receiving signal	
<b>Set point</b>	2 No, Independent set point for Alarm Relay-1 & Alarm Relay-2 with programmable latch & non- latch facility	
<b>Control Action</b>	LO / HI, HI / LO, LO / Very LO, HI / Very HI, Programmable by user	
<b>Hysteresis</b>	0 to 100 counts, Individual setting for Alarm Relay-1 & Alarm Relay-2, Programmable by user	
<b>Time Delay</b>	Independent Programmable 0 to 9999 sec for Alarm Relay-1 & Alarm Relay-2	
<b>Relay Output</b>	Alarm Relay-1 operates for set point 1, Alarm Relay-2 operates for set point 2 & Fail-Safe Relay with	
	normally-off or normally- on conditions selectable	
<b>Relay Contact type</b>	3 No, 1 NO-C- NC, 230 VAC/5A Relay contact for RL1, RL2 & Fail-Safe Relay	
<b>Setting</b>	Setting by 4 keys on front panel i.e. 'SET / NEXT', 'UP', 'DOWN' & 'TEST / BACK'	
<b>Monitoring</b>	i) By display : Sensor break/ open shows 'OFF', under range shows 'Lndr' & over range shows 'OUEr'	
	ii) By Retransmission current : Up scale current : 21mA, Down scale current : 3mA, Programmable	
<b>Supply Voltage</b>	230 VAC ± 10% OR 110 VAC ± 10% OR 24 VDC	
<b>Cable</b>	1.5 sq. mm 3 Core OR 2 Core, Flexible OR Armoured shielded cable from Gas transmitter	
<b>Operating Temperature</b>	0 to 50°C ± 5%, Relative Humidity: Below 95% non Condensing	
<b>Enclosure Details</b>	<b>GM - SERIES - WP (Weatherproof)</b>	<b>GM - SERIES - FLP (Flameproof)</b>
<b>Protection Class</b>	IP-65	IP-65 for Gas Gr. IIA & IIB, CCOE & CMRI approved
<b>Cabinet Material</b>	Polycarbonate, gray colour	Cast Aluminum alloy, LM-6 / C.I. Enclosure
<b>Cable Entry</b>	Thermoplastic cable gland (IP 68) with clamping range of 2.5 to 6.5mm	Double compression cable gland (Ex-Proof), 3/4" ET-type
<b>Dimension</b>	250 mm (H) x 290 mm (W) x 145 mm (D)	350 mm(H) x 290 mm(W) x 170 mm(D)
<b>Mounting</b>	Wall Mounting / Stand Mounting	Wall Mounting / Stand Mounting
<b>Weight</b>	Approx 2.5 kg	Approx 5.0 kg
<b>Optional</b>	a) Isolated RS-485 Serial port with MODBUS RTU protocol output b) SMARTLOG / SCADA SOFTWARE for online graph & data report for safety Audit c) Flame Proof or Non Flame Proof Industrial Hooter, Hooter cum Flasher, Chart recorder, Cables, PC software, Gas Transmitter, 24VDC power supply, Gas calibration kit d) Optional programmable linear 4-20mA / 20-4 mA O/P with respect to Gas concentration range	

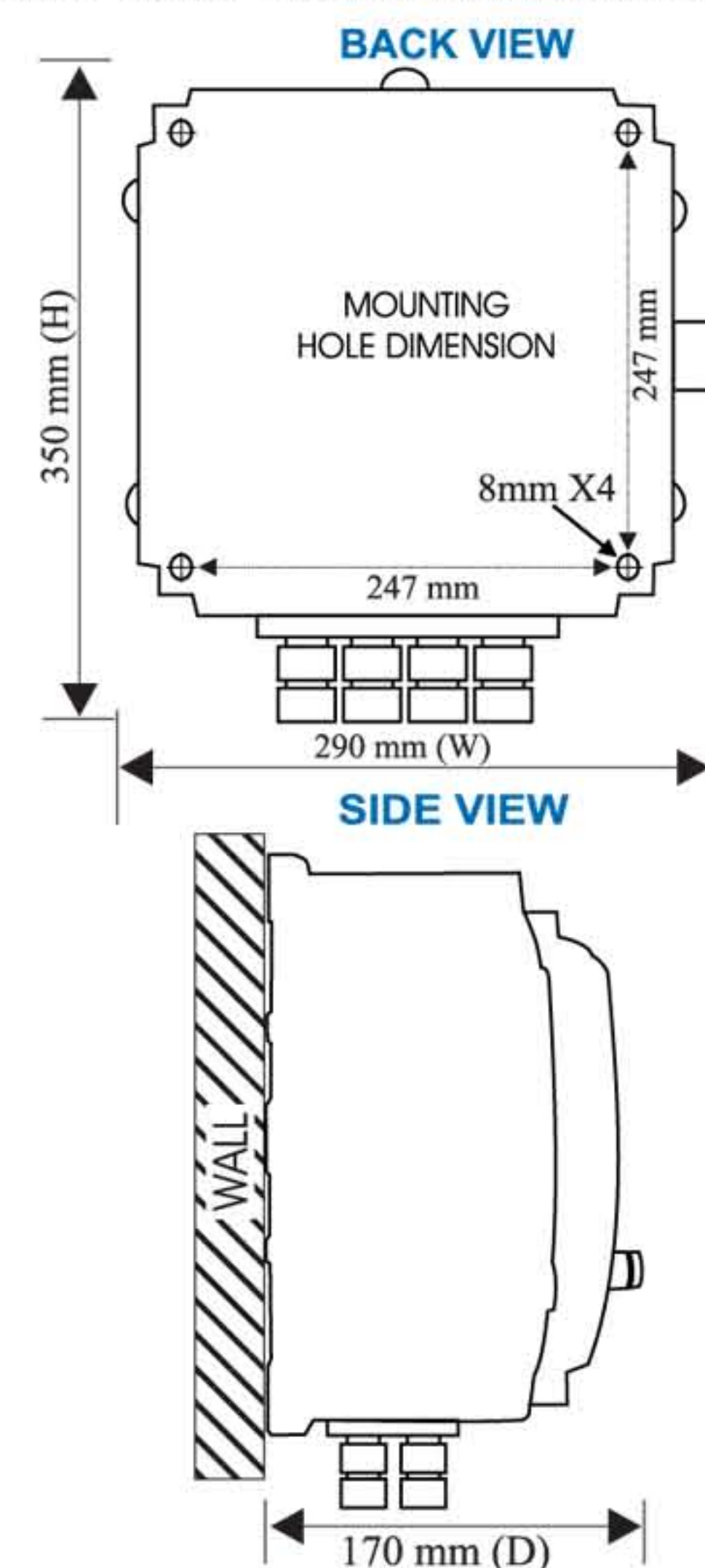
### FRONT DESCRIPTION



### WEATHERPROOF ENCLOSURE DIMENSIONS



### FLAMEPROOF ENCLOSURE DIMENSIONS



Manufactured by :

**AMBETRONICS ENGINEERS PVT. LTD.**

17-B, Tarun Industrial Estate, Mogra Pada, New Nagardas Road, Andheri (E.) Mumbai - 69, India.  
 Mob.: 9320619646 • 9320621646 • Tel.: +91-22-66995525, 28371143 • Fax : +91-22-28226570  
 E-mail : project@ambetronics.com • gas@ambetronics.com • Web : www.ambetronics.com



Dealers:

Specifications subject to change without any prior notice