

Explosion Proof Pressure Transmitter

Model: PT124B-284 (Clamp Diaphragm)



Description

PT124B-284 adopted clamp diaphragmatic of special design to make the flush diaphragm no damaged by the hardness grit of the tested medium. Compact configuration, corrosion resistance, shock proof, Wide range temperature compensation. It adopted explosion proof shell with LCD display

Application

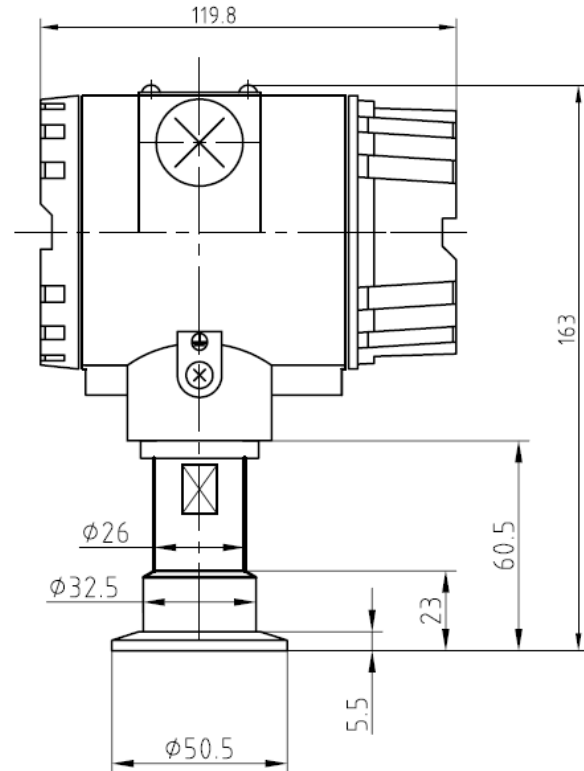
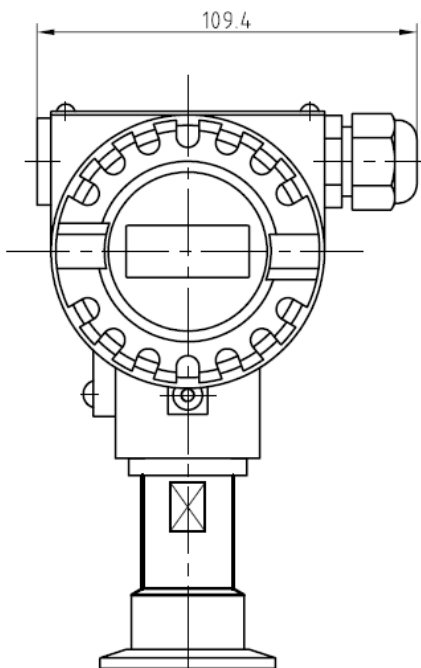
- ◆ Polyester
- ◆ Paper making
- ◆ Paint making
- ◆ Pharmaceutical industry

Feature

- ◆ Plane diaphragmatic of special design
- ◆ Explosion proof shell with LCD display
- ◆ Intrinsically safe
- ◆ Compact configuration, easy to install
- ◆ Corrosion resistance, shock proof
- ◆ Wide range temperature compensation



Dimension



Remarks: Above dimension only for reference, we can tailor the product as you required.

Specification

Range	0...10bar to 0...350bar
Accuracy	0.5%FS
Linear	0.02%FS
Over pressure	150%FS
Output	4-20mA
Input voltage	24(12-36V)DC
Operation temperature	-40℃~125℃
Temperature compensation	-10℃~70℃
Explosion class	ExibII CT4
Electric connector	Terminal block
Process connector	Clamp, Flange

Wiring Code

Remove the back cover and then you will see there are terminals inside as below, please connect cables according to the wiring code.



Wiring Code

- Terminal OUT+ Power Red
- Terminal OUT- Signal Black
- Terminal TEST +
- Terminal TEST -

Remarks: The TEST just for current testing purpose if necessary.

Order Guide

Model	Range(bar)	Output	Process connection	Electric connection	Other requirement
PT124B-284	---	---	---	---	---

Example:PT124B-284-20bar-4/20mA-1inch-Direct shield cable

Shanghai Zhaohui Pressure Apparatus Co.,ltd

5-6F No.8 Building No.115 ,Lane 1276 Nanle Road
 Songjiang District Shanghai 201600 China
 Tel:+86-21-51691919 67755189 Fax:+86-21-67755185
 E-mail: info@zhyqsensor.com
 www.zhyqsensor.com

