

Automotive Sensor

Model: PT124B-242



Description

We supply the electronic automotive sensor with the feature of compact configuration, high reliability, easy to install, vibration proof and all-metal sealed pressure system which withstands more than 10 million pressure cycles without failure. This series is used to measure the pressure of engine oil, brake system, fuel, diesel engine high-pressure common rail test system in the automotive industry. It can also be used to measure the pressure for liquid, gas and steam.

Application

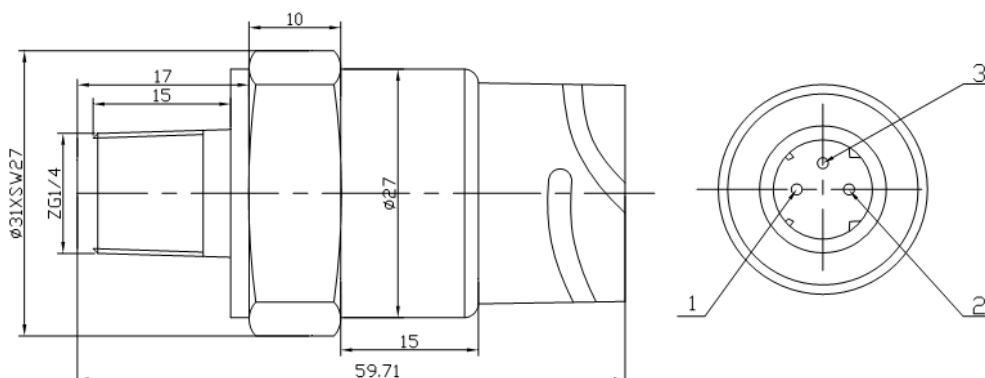
- ◆ Engine oil
- ◆ ABS system
- ◆ Fuel pump
- ◆ Fuel cylinder high-pressure common rail system
- ◆ Automotive & air-condition pressure measuring

Feature

- ◆ Superior long term stability
- ◆ Temperature compensated over wide range
- ◆ Low power consumption
- ◆ Excellent repeatability/Hysteresis
- ◆ Special design for customer
- ◆ Many OEM options



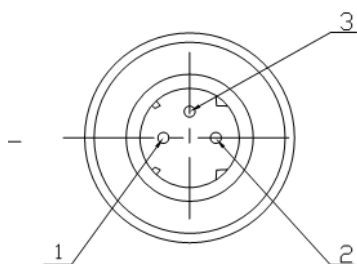
Dimension



Specification

Range	-1...1000bar
Accuracy	0.5%FS; 1.0%FS
Linear	0.02%FS
Reliability	0.05%FS
Output	0.5-4.5V; 0-5V; 1-5V; 4-20mA,
Input Voltage	5VDC,24(12-36V)DC
Operating Temperature	-20℃~120℃
Compensation Temperature	-10~65℃ (Standard compensation)
Over Pressure	150%FS
Case material	304SS
Electric Connection	Packard connector
Process Connection	1/4NPT, 1/8-27NPT, 7/16-20UNF (Optional)

Wiring Code



Signal Output	4-20mA (2 Wires)		0-5V, 0.5-4.5V,1-5V (3 Wires)	
Wiring Code	1	Input (Red)	1	Input (Red)
	2	Output (Black)	2	common point (Black)
	3	None	3	Output (Blue)
Remarks: Above wiring connector is the standard type, if you need the special wiring, please contact with the company at first.				

Ordering Guide

Model	Range	Output	Process Connection	Electric Connection	Other requirement
PT124B-242	---	---	---	---	---

Example:PT124B-242-100Bar-4/20mA-G1/4- Packed connector

Shanghai Zhaohui Pressure Apparatus Co., Ltd

5-6F No.8 Building No.115 ,Lane 1276 Nanle Road,
 Songjiang District Shanghai 201600 China
 Tel: +86-21-51691919 67755189 Fax:+86-21-67755185
 E-mail: info@zhyqsensor.com
 www.zhyqsensor.com

