

Melt Pressure Gauge

Model: PT124Y-615 (Capillary with output)



Description

PT124Y-615 adopts the original packaging machine stamen, and designed with all stainless steel structure, isolated diaphragm and local index display. With dial plate's step-up and stem-down versions, the gauge head can be rotated 360° for unobstructed viewing

Application

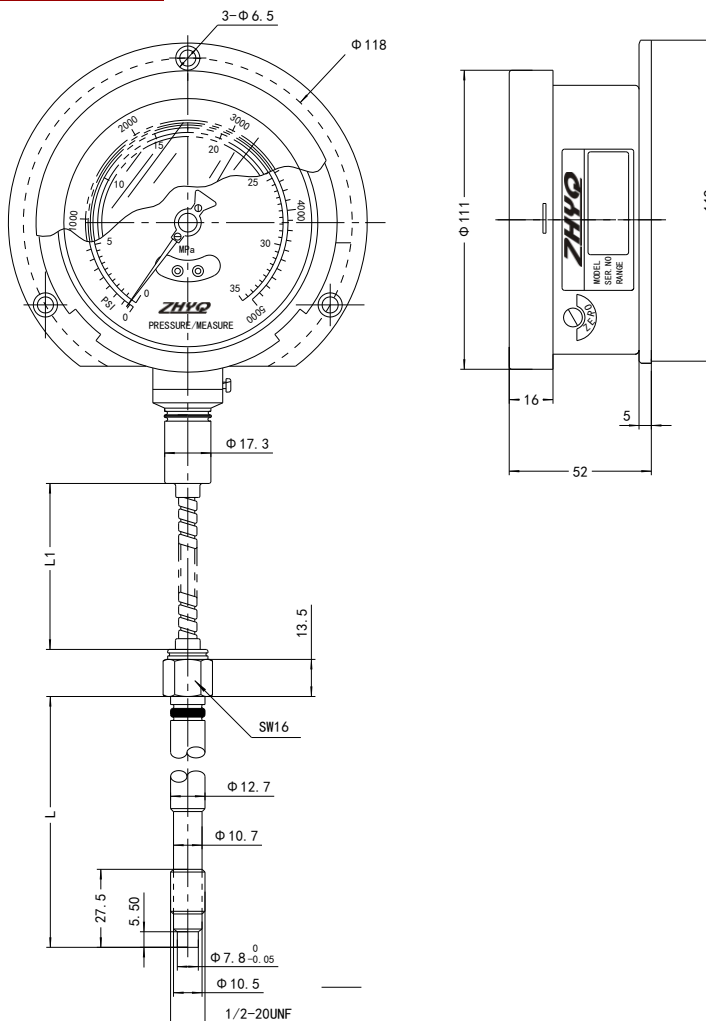
- ◆ Chemical fiber and filature
- ◆ Rubber & plastic machinery
- ◆ The equipment of high temperature steam

Feature

- ◆ Direct, local reading
- ◆ Mechanical design
- ◆ Step-up and stem-down version
- ◆ Customer defined pressure gauge
- ◆ Install easily, high reliability
- ◆ Zero adjustment
- ◆ With signal output



Dimension



DIN43650 Wiring code		
3.33mV/V		4-20mA
A	--	E+/S+
B	--	E-/S-
C	--	
D	--	
E	--	
F	--	

6PIN Wiring code		
3.33mV/V		4-20mA
A	S+	E+/S+
B	S-	E-/S-
C	E+	
D	E-	
E	C	C
F	C	C

PT124Y-615

Specification

Range	0...6MPa to 0...150MPa
Output	4-20mA; 3.33mV/V
Accuracy	±1.0%FS; ±1.5%FS
Input Voltage	24VDC; 10VDC
Configuration	Bourdon tube
Over Pressure	1.5×FS
Max Diaphragm Temperature	350℃
Dial Diameter	100mm
Flexible Length	0.5...5M (Optional)
Electric connector	6PIN or DIN43650 optional (just for 4-20mA)
Process Connector	1/2"-20UNF, M14×1.5, M18×1.5 (Optional)

Installation Drawing

<p>Planar Sealed</p>	D1	M22×1.5	M28×1.5	G3/4"	PT3/8"
	D2	Φ 16.1	Φ 18.3	Φ 18.3	Φ 10.3
	D3	Φ 20.1	Φ 26.1	Φ 24.2	Φ 14.9
	M	Φ 23	Φ 30	Φ 21	Φ 11
	A	11	12	12	14
	B	12	15	15	19
	C	40	35	35	40
	<p>45° Slope Sealed</p>	D1	M12×1.5	M14×1.5	1/2-20UNF
D2		Φ 8	Φ 8	Φ 8	Φ 10.1
D3		Φ 10.8	Φ 12.5	Φ 11.5	Φ 16.1
D4		Φ 12.5	Φ 14.5	Φ 13.1	Φ 20
A		6	6	6	6.5
B		9	9.5	9.5	10

Ordering Guide

Model	Range	Output	Snout&Ca illary	Process connection	Electric connection	Other requirement
PT124Y-615	---	---	---	---	---	---

Example: PT124Y-615-350Bar-3.33mV/V-6"/30"-1/2-20UNF-6PIN

Shanghai Zhaohui Pressure Apparatus Co.,Ltd

5-6F No.8 Building No.115 ,Lane 1276 Nanle Road,
Songjiang District Shanghai 201600 China
Tel:+86-21-51691919 67755189 Fax:+86-21-67755185
E-mail: info@zhyqsensor.com
www.zhyqsensor.com

