

Melt Pressure Gauge

Model: PT124Y-610 (Rigid Stem)



Description

PT124Y-610 model adopts the original German packaging machine stamen, and designed with all stainless steel structure, isolated diaphragm and local index display. With dial plate's step-up and stem-down versions, the gauge head can be rotated 360° for unobstructed viewing.

Application

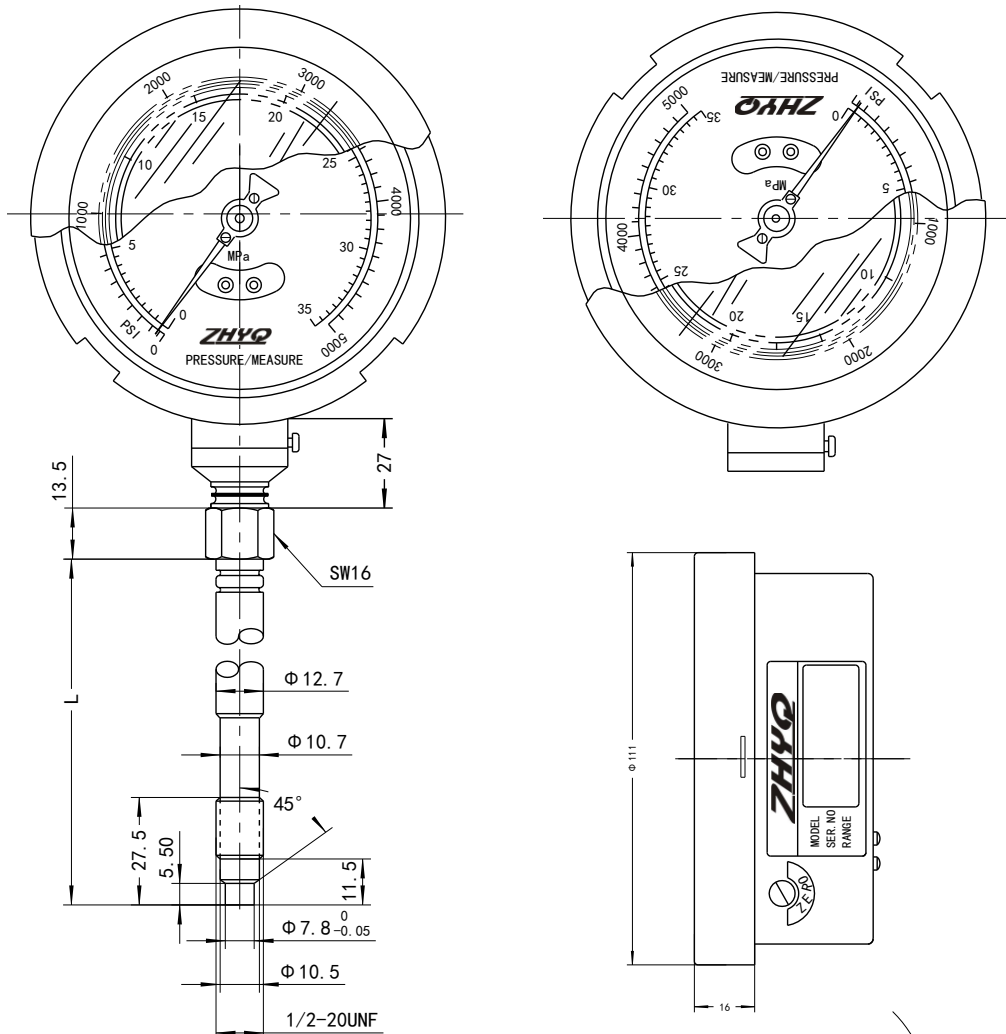
- ◆ Chemical fibre and filature
- ◆ Rubber & plastic machinery
- ◆ The equipment of high temperature steam

Feature

- ◆ Direct, local reading
- ◆ Mechanical design
- ◆ Step-up and stem-down version
- ◆ Customer defined pressure gauge
- ◆ Install easily, high reliability
- ◆ Zero adjustment



Dimension



PT124Y-610

ZHYQ Sensor&Control

Specification

Ranges	0....16MPa to 0....150MPa
Accuracy	±1.6%FS,
Repeatability	±0.2%
Configuration	Bourdon tube
Over Pressure	1.5×FS
Max Diaphragm Temp.	260°C
Dial Diameter	100mm
Process Connection	1/2"-20UNF, M14×1.5, M18×1.5 (Optional)

Installation Drawing

<p>Planar Sealed</p>	D1	M22×1.5	M28×1.5	G3/4"	PT3/8"
	D2	Φ 16.1	Φ 18.3	Φ 18.3	Φ 10.3
	D3	Φ 20.1	Φ 26.1	Φ 24.2	Φ 14.9
	M	Φ 23	Φ 30	Φ 21	Φ 11
	A	11	12	12	14
	B	12	15	15	19
	C	40	35	35	40
<p>45° Slope Sealed</p>	D1	M12×1.5	M14×1.5	1/2-20UNF	M18×1.5
	D2	Φ 8	Φ 8	Φ 8	Φ 10.1
	D3	Φ 10.8	Φ 12.5	Φ 11.5	Φ 16.1
	D4	Φ 12.5	Φ 14.5	Φ 13.1	Φ 20
	A	6	6	6	6.5
	B	9	9.5	9.5	10

Ordering Guide

Model	Range	Output	Snout Length	Process connection	Optional
PT124Y-610	---	NO	---	---	---
Example: PT124Y-610-350Bar-6"-1/2-20UNF					

Shanghai Zhaohui Pressure Apparatus Co., Ltd

5-6F No.8 Building No.115 ,Lane 1276 Nanle Road,
 Songjiang District Shanghai 201600 China
 Tel: +86-21-51691919 67755189 Fax:+86-21-67755185
 E-mail: info@zhyqsensor.com
 www.zhyqsensor.com

