

Mud and Earth Pressure Transmitter for TBM

Model: PT124B-2504



Description

Our mud pressure transmitter with models PT124B-2504 adopts high precision, high stability resistance strain gauge, as the sensor chip. Matching amplifying circuit, firm diaphragm, formed with special metal and technology, designed with skilled mechanics, consummate dynamics transfer configuration design to make the flush diaphragm no damaged by the hardness grit of the tested medium, make it suitable for hazardous locations. This model has the character of compact configuration, corrosion resistance, shock proof, widely temperature compensation



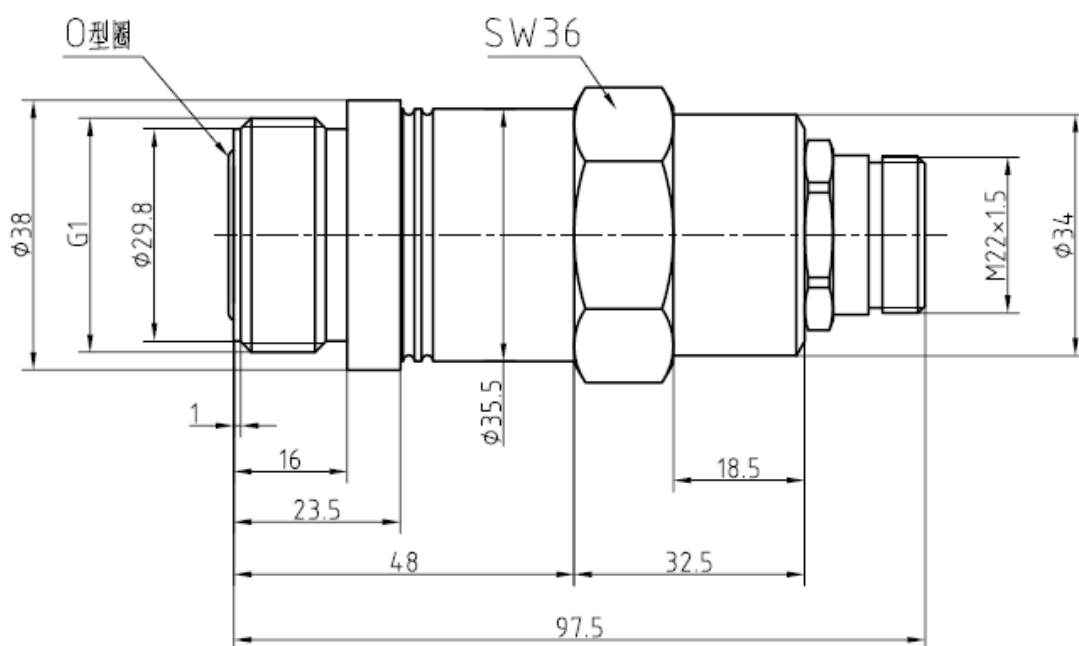
Application

- ◆ Shield tunnel machinery
- ◆ Brick-making machinery
- ◆ Irrigation works, petroleum exploration and etc.

Feature

- ◆ Wide range temperature compensation
- ◆ Various standard output
- ◆ Direct shield cables
- ◆ corrosion resistance, shock proof

Dimensions



PT124B-2504

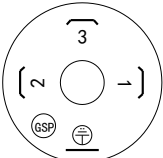
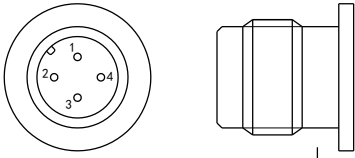
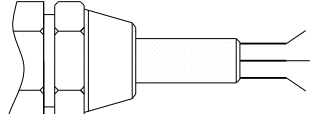
Specification

Pressure range: 5bar, 6bar, 10bar, 20bar, 50bar, 100bar
 Output: 4-20mA, 0-5V, 0-10V, 0.5-4.5V
 Power supply: 12~36V DC
 Protect grade: IP65
 Diaphragm material: 316L
 Material of the house: 304, 316L
 Load pressure: 150%FS
 Response time: ≤ 1 (10%~90%)ms
 Combined accuracy: 0.25%FS, 0.5%FS, 1.0%FS
 Medium temperature: -25~85°C
 Operating temperature: -35~85°C
 Storage temperature: -40~125°C
 Compensation temperature: 0~50°C, -10~80°C
 Electrical connector: Cable lead
 Process connector: Flange mounting

Maintenance

- 1, Before installation, to read the catalog and manual carefully. Make sure the appearance of the pressure transmitter is good and the diaphragm is not damaged, also the current output is normal.
- 2, As the pressure transmitter is precision device. Don't remove it free and touch the diaphragm non-professional, to avoid the damage.
- 3, Do not allowed the measure medium to freeze, otherwise the diaphragm of the pressure transmitter will be damaged. To avoid icing, it is necessary to make the temperature protected to the pressure transmitter.
- 4, To make sure there is no strong electromagnetic interference the field where the pressure transducer/transmitter installed, and make periodic verification to it follow the Industry regulation.

Electric Connection

Electric connector	2 wire(4-20mA)			3 wire (0-10V, 0-5V, 0.5-4.5V)		
Hirschman 	Pin	Function	Color	Pin	Function	Color
	1	E+/S+	Red	1	E+	Red
	2	E-/S-	Black	2	S+	Blue
	3	---	---	3	E-/S-	White
M12,4Pin 	Pin	Function	Color	Pin	Function	Color
	1	E+	Red	1	E+	Red
	2	---	---	2	---	---
	3	E+	Black	3	S+	Blue
	4	---	---	4	E-/S-	White
Cable 	Function	Color	Function	Color	Function	Color
	E+	Red	E+	Red	E+	Red
	S+	Black	S+	Blue	S+	Blue
	---	---	E-/S-	White	E-/S-	White

Ordering Guide

Model	Range	Output	Pressure Port	Electric Connection	Other requirement
PT124B-2504	---	---	---	---	---
Example: PT124B-2504-50Bar-4/20mA-R1-Direct shield cable					

Shanghai Zhaohui Pressure Apparatus Co., Ltd

5-6F No.8 Building No.115 ,Lane 1276 Nanle Road,
 Songjiang District Shanghai 201600 China
 Tel:+86-21-51691919 67755189 Fax:+86-21-67755185
 E-mail: info@zhyqsensor.com
 www.zhyqsensor.com

